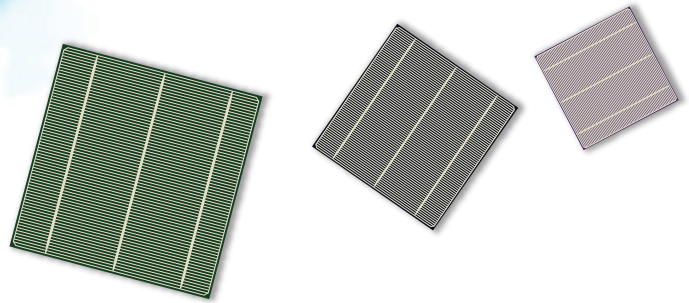


Rainbow[®] Cell



Multi-crystalline Solar Cell

Physical Characteristics

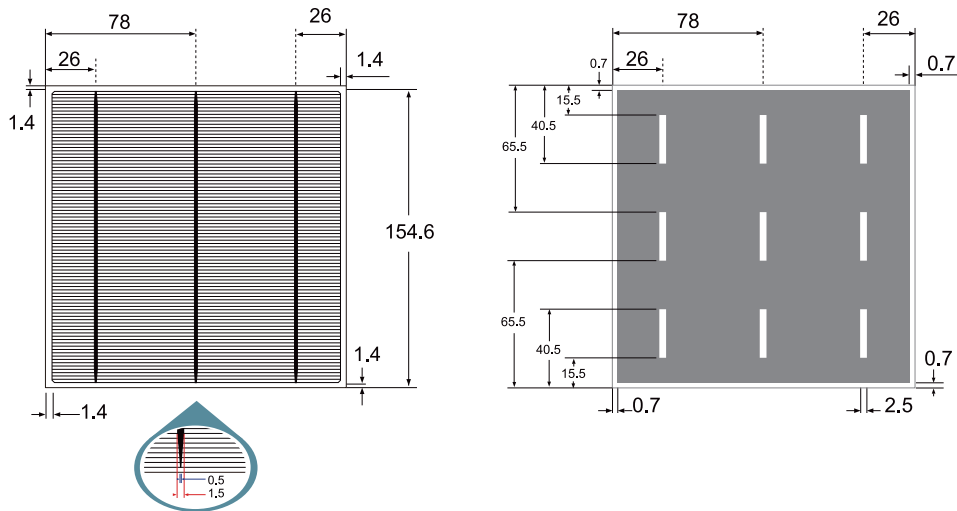
	3	4
Busbar	3	4
Dimension	156 mm x 156 mm ± 0.5 mm	156 mm x 156 mm ± 0.5 mm
Thickness (si)	180 μm - 20 / + 30 μm 200 μm ± 30 μm	180 μm - 20 / + 30 μm 200 μm ± 30 μm
Front Side (-)	Silicon nitride anti-reflection coating 1.4 mm silver busbar	Silicon nitride anti-reflection coating 1.1 mm silver busbar
Back Side (+)	Full surface aluminum back surface field 2.5 mm (silver) discontinuous soldering pads	Full surface aluminum back surface field 2.2 mm (silver) discontinuous soldering pads

Product Name	Est. Module Power Output (Watt)	*Rated Power (after lamination) (Wp)	* Rated Power (Wp)	*Maximum Power Voltage (V)	*Open Circuit Voltage (V)	*Maximum Power Current (A)	* Short Circuit Current (A)
Tile Red	250	4.000	3.942	0.523	0.623	7.37	7.83
Forest Green	250	4.000	3.942	0.526	0.625	7.31	7.82
Lavender	250	4.000	3.942	0.528	0.627	7.29	7.75
Metallic Gray	220	3.667	3.701	0.528	0.630	7.02	7.43

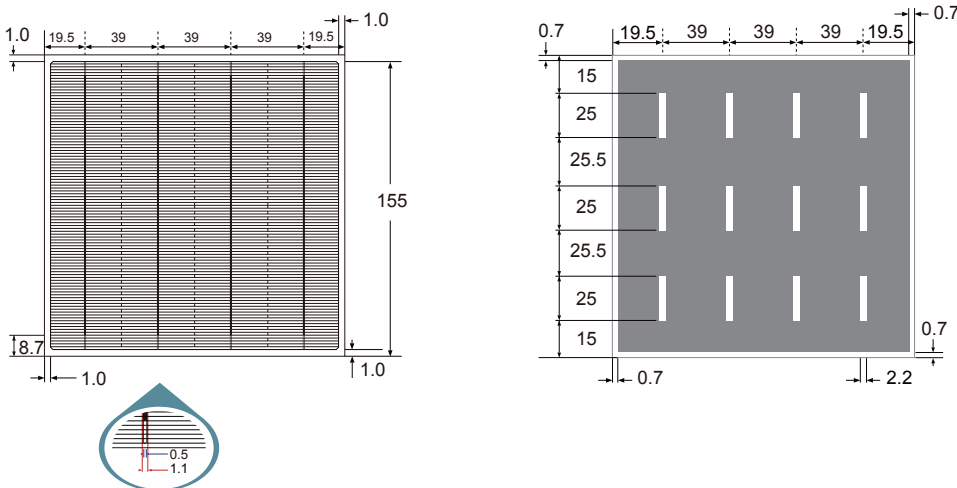
Test condition: 1000 W/m², AM1.5, 25 °C Power measuring tolerance: ± 1.5 % rel.

Front and Back of the Cell and Reference Dimensions

3 Busbar



4 Busbar



*Data & drawing for reference only.

2017 Aug

