

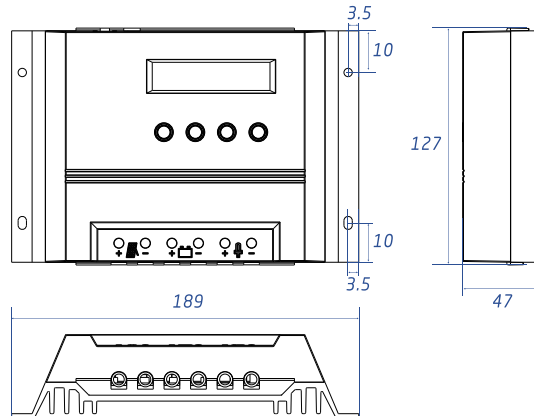
Max48 series 10A/20A/30A 48V solar charge controller

With your new Max series controller you own a state-of-the-art device which was developed according to the latest available technical standards.

It comes with a number of outstanding features, such as:

- LCD display
- One year's data memory
- 48V system voltage
- External temperature sensor, make the temperature compensation more accurate
- Perfect EMC design
- Many choices of battery type, working mode and protection
- Four stage PWM charge way: fast, boost, equalization, float
- Full automatic electronic protect function

Dimensions&Module



Technical Datasheet

	Max 10 HV (Max 1048)	Max 20 HV (Max 2048)	Max 30 HV (Max 3048)
System voltage	48 V Fixed		
Max solar current or load current	10 A	20 A	30 A
Float voltage	52.0~58.0V, Default: 54.8V (25°C)		
Fast voltage	56.0V (25°C)		
Boost voltage	56.0~60.0V, Default: 58.0V (25°C)		
Equal voltage	56.0~62.0V, Default: 59.2V (25°C)		
Day/Night threshold	12.0~30.0V, Default: 12V		
Load disconnect voltage	Soc	20~70%, Default: 30%	
	Voltage	44.0~50.0V, Default: 44.4V	
Load reconnect voltage	Soc	40~90%, Default: 50%	
	Voltage	47.2~53.2V, Default: 50.4V	
Battery type	Liquid, Gel		
Nominal capacity	10Ah~9990Ah, Default: 300Ah		
Low voltage protection mode	Soc, Voltage		
Load mode	Auto, Standard, Timer		
Light on delay	00:00 - 02:00 (Internal 5min)		
Light off delay	00:00 - 02:00 (Internal 5min)		
Night time 1	00:00 - 09:00 (Internal 15min)		
Night time 2	00:00 - 09:00 (Internal 15min)		
Temperature compensation	-4.17 mV/K per cell (Boost and Equal charge), -3.33 mV/K per cell (Float charge)		
Max solar voltage	110 V		
Max battery voltage	80 V		
Dimensions/Weight	127*189*47mm / 550g		
Max wire size	25mm ²		
Max power consumption	7mA		
Temp. Range during operation	-10°C ~ +60 °C		
Storage temperature	-25°C ~ +80 °C		
Relative humidity	10%~90% Non-condensation		
Case protection	IP32		