

## Star series 3A/6A

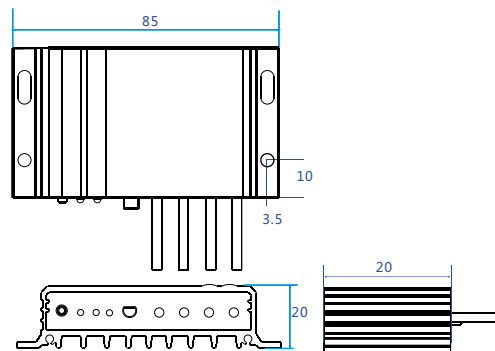
### 12V, Night-light function, Buttons to set

Star series solar controller is programmable and especially for solar lawn light system, with better cost-effective.

It comes with a number of outstanding features, such as:

- IP68, Strong and durable aluminum case
- 12V system voltage
- Working time during night selection
- LED status display
- Buttons to set
- Four stages PWM charge way: fast, boost, equal, float
- Full automatic electronic protect function

Dimensions&Module



#### Technical Datasheet

	Star03	Star06
Nominal voltage	12V	
Max. solar current or load current	3A	6A
Fast voltage	14.0V(25°C)	
Boost voltage	14.5V(25°C)	
Equalization voltage	14.8V(25°C)	
Float voltage	13.7V(25°C)	
Load disconnect voltage	11.2~11.8V	
Load reconnect voltage	12.5V	
Working time during night	DUSK-to-DAWN , 4 , 5 , 6 , 8Hours ( Programmable )	
Day/Night threshold	5.0V	
Battery type	Liquid	
Temperature Compensation	-4.17mV/K per cell(Boost, Equalization);-3.33mV/K per cell(float)	
Max. solar voltage	30V	
Max. battery voltage	25V	
Over voltage protection	15.5V	
Cable length	120mm/80mm	
Dimensions /Weight	85 x 40 x 20 mm / 105g	
Wire size	1.5mm <sup>2</sup>	
Own consumption	4mA	
Ambient temperature	-40°C ~ +60°C	
Degree of protection	IP68	
Max altitude	4000 m	