

Smart-CC series 5A/10A

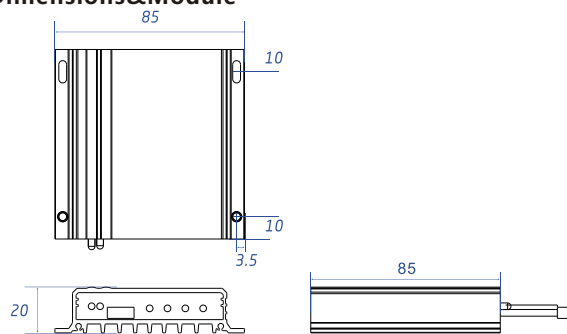
12/24V, Night-light function, Constant current

Smart-CC series intelligent solar controller, is programmable and especially for DC solar street light system. It has constant current driver function, which can make the cost of the whole system much lower.

It comes with a number of outstanding features, such as:

- Can output constant current (output current can be set). Min: 0.1A
- Dimming function: 30~70% of rated power adjustable
- 6 modes for solar street light system
- 12/24V automatic recognition
- IP67 , Strong and durable aluminum case
- Digital Unit to confiure Smart charge controller via UART
- External temperature sensor, automatic temperature compensation
- Four stages PWM charge way: fast, boost, equal, float
- Full automatic electronic protect function

Dimensions&Module



Technical Datasheet

	SM05-CC	SM10-CC
Nominal voltage	12V/24V automatic recognition	
Max solar current	5A	10A
Setting bound of constant current	12V: 0.1~2.5A; 24V: 0.1~4.0A	12V: 0.1~5.0A; 24V: 0.1~8.0A
Precision of constant current	±5%	
PWM constant current frequency	100HZ	
Fast voltage	14.0V/ 28.0V (25°C)	
Boost voltage	14.5V/ 29.0V (25°C)	
Equalization voltage	14.8V/ 29.6V (25°C)(Liquid)	
Float voltage	13.7V/ 27.4V (25°C)	
Load disconnect voltage	10.8~11.9V / 21.6~23.8V (programmable)	
Load reconnect voltage	12.0~13.2V/24.0~ 26.4V (programmable)	
Lighting hours	0~18 Hours (programmable)	
Day/Night threshold	3.0~7.5V/6.0~15.0V (programmable)	
Battery type	Liquid, Gel	
Temperature Compensation	-4.17mV/K per cell (boost, equalization); -3.33mV/K per cell (float)	
Max solar voltage	55V	
Max battery voltage	40V	
Dimming	30~70% of rated power	
Cable length	120mm/80mm	
Over voltage protection	15.5 / 31.0V	
Dimensions /Weight	85 x 85 x 20mm/210g	
Wire size	1.5mm ²	2.5mm ²
Typical power consumption	< 13mA	
Ambient temp.	-40°C ~ +60°C	
Case protection	IP67	
Max altitude	4000 m	