

**EverExceed**<sup>®</sup>  
*power your applications*

# Titan MPPT solar charge controller

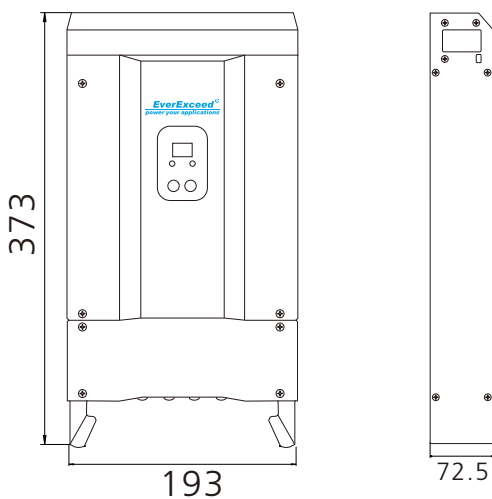


[www.everexceed.com](http://www.everexceed.com)

## Titan MPPT Solar Controller

The EverExceed Titan MPPT solar charge controller sets new standards in the area of Maximum Power Point trackers. Outstanding efficiency along with unique safety features make it a universal top-grade charge controller.

With an input voltage of up to 100 V, all kinds of solar modules can be used in various connection schemes. This charge controller combines high flexibility, maximum yields, professional battery care and an appealing design on the basis of advanced technology.



### Product features

- Voltage and current regulation
- MPPT control
- Temperature compensation
- Monthly maintenance charge
- Adjustable cut-off voltages
- Battery type: AGM / GEL / Vented Lead Acid battery, Nickel Cadmium battery, Lithium Ion / LiFePO4 Battery
- controller can be connected in unlimited parallels

### Electronic protection functions

- Overcharge protection
- Reverse polarity protection of module and battery
- Automatic electronic fuse
- Open circuit protection without battery
- Reverse current protection at night
- Overtemperature and overload protection
- PE connection

### Displays

- Multifunction graphical LCD display with backlighting
- Configuration via display unit

### Accessories

- External temperature sensor
- RS232 communication cable for connected with PC/Laptop



## SPECIFICATION

Model	T15	T20	T25	T30	T40
Charge mode	MPPT				
Charge stage	Constant current(MPPT),constant voltage,floating				
System efficiency	=96.5%				
MPPT work voltage	14V~100V(12V)				
	30~100V(24V)				
	60~100V(48V)				
Low input voltage protection point	14V(12V)				
	30V(24V)				
	60V(48V)				
Low input voltage recovery point	18V(12V)				
	34V(24V)				
	65V(48V)				
High input voltage protection point	110V(12/24/48V system)				
High input voltage recovery point	100V(12/24/48V system)				
Maximum PV power	213W(12V)	284W(12V)	355W(12V)	426W(12V)	568W(12V)
	426W(24V)	568W(24V)	710W(24V)	852W(24V)	1136W(24V)
	852W(48V)	1136W(48V)	1420W(48V)	1704W(48V)	2272W(48V)
Max charging current	15A	20A	25A	30A	40A
Communication	RS232				
Dimension	353*172*72mm				
Net weight	3.58kg				

**EverExceed<sup>®</sup>**  
*power your applications*



**Supplied worldwide by  
EverExceed Corporation**

