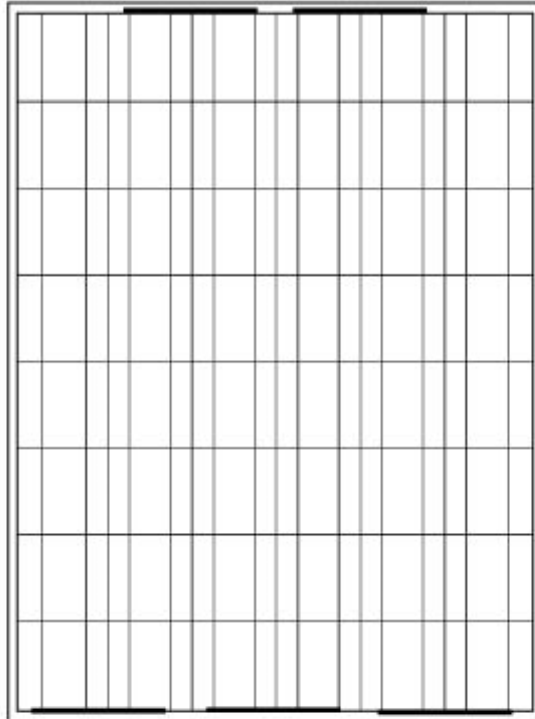


- **HSP 160W-185W**  
Poly-Crystalline Solar Module



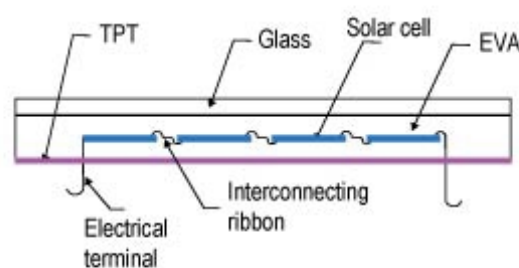
Hisem offers photovoltaic modules with efficient and reliable performance for residential, commercial and other installations both on-grid and off-grid.

## Product Description

Our poly-crystalline module has 48 pieces of crystalline silicon cells connected in series. The module is produced to meet with international standards. Its high efficiency and compact size make it an ideal choice.

## Features and Advantages

- The solar cells used in the module are coated with a blue antireflection silicon nitride to ensure their good appearance and high efficiency.
- The modules are laminated by layers of toughened glass with high transparency, EVA with good anti-aging performance, solar cells with high conversion efficiency and TPT with excellent durability, water resistance and able to withstand hail.
- Anodized aluminum frame that improves resistance to heavy wind loads.
- The sealed multi-purpose connecting boxes with good waterproof performance are used to provide a variety of connection patterns.
- Every module is inspected for appearance and tested for electrical performance to ensure its excellent quality.
- Module size can be tailored to customers' special requirements.
- High quality product warranty for up to 25 years.

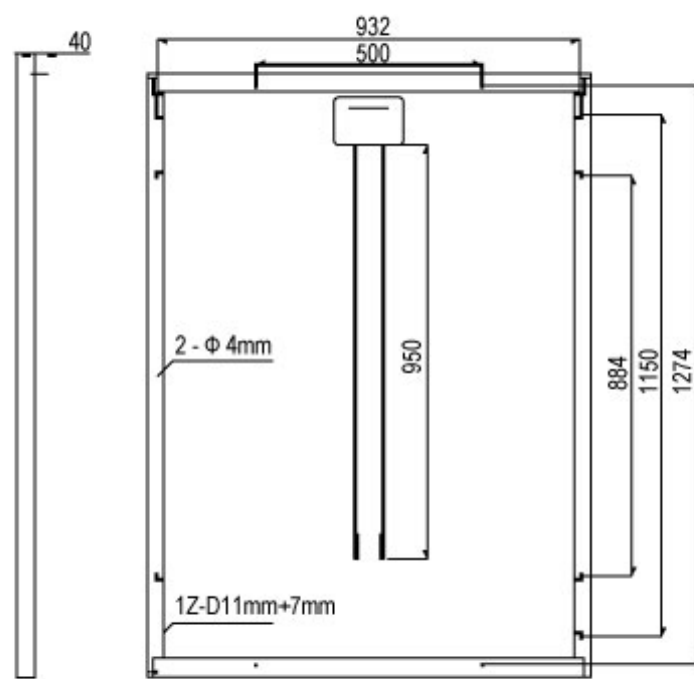


## Applications

- On-grid systems for residential and commercial building roofs
- Solar farms
- Other on-grid applications

# Solar Panel

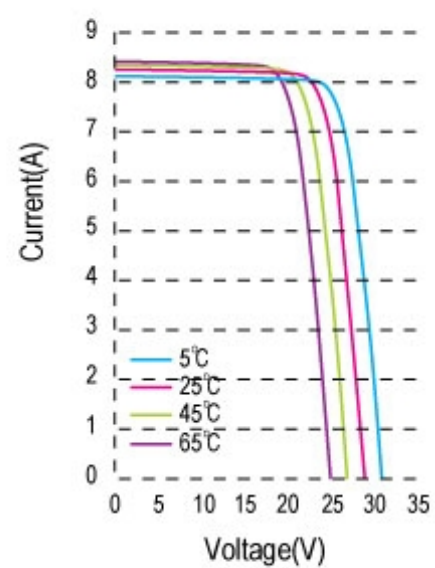
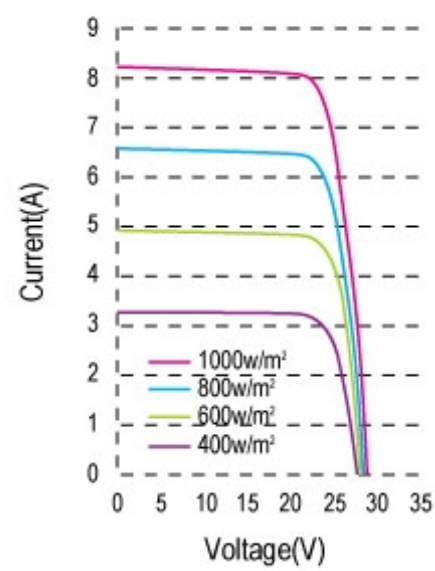
## Dimensions



## General Data

Cell	Poly-crystalline
No. of cells	48 pcs
Weight	16 kg
Dimensions	1324 x 982 x 40 (mm)
Produced in accordance with	IEC61215Ed.2
ROHS	IECQ Certification

## I-V Curves



## Electrical Data

(STC: Irradiance 1000W / m<sup>2</sup>, module temperature 25°C, AM=1.5)

Maximum power	160Wp	165Wp	170Wp	175Wp	180Wp	185Wp
Open circuit voltage	28.9V	29.0V	29.2V	29.3V	29.4V	29.4V
Maximum power voltage	23.1V	23.1V	23.2V	23.4V	23.5V	23.7V
Short circuit current	7.67A	7.82A	7.92A	8.04A	8.19A	8.39A
Maximum power current	6.93A	7.13A	7.32A	7.49A	7.65A	7.82A
NOCT	45°C					
Operating temperature	-40°C to +85°C					
Temperature coefficient of Isc	+0.065% / °C					
Temperature coefficient of Voc	-0.34% / °C					
Temperature coefficient of Pm	-0.43% / °C					

Specifications included in this datasheet are subject to change without prior notice.