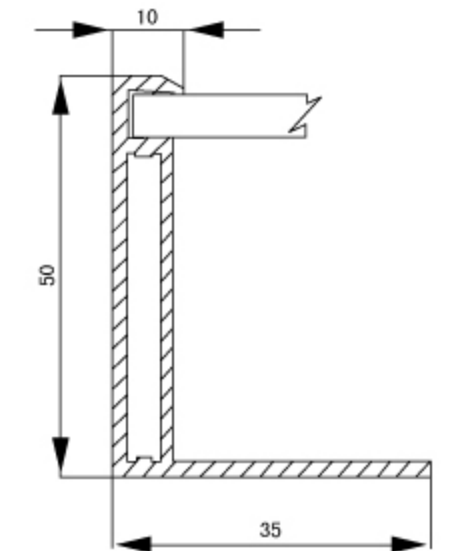
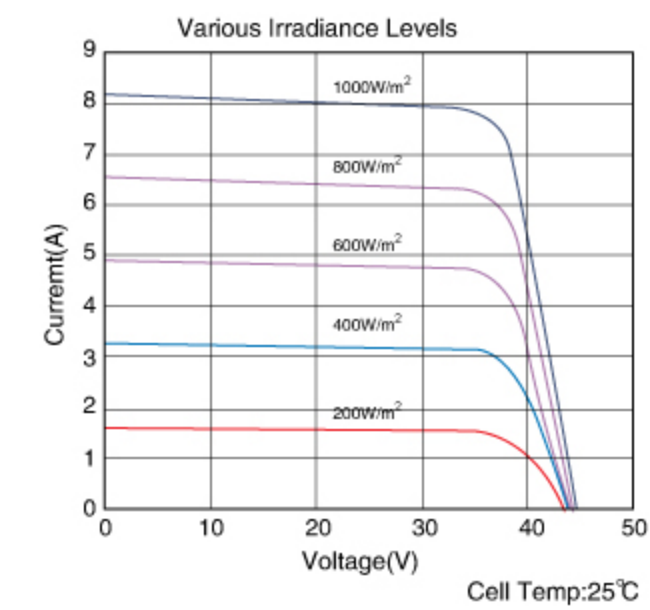
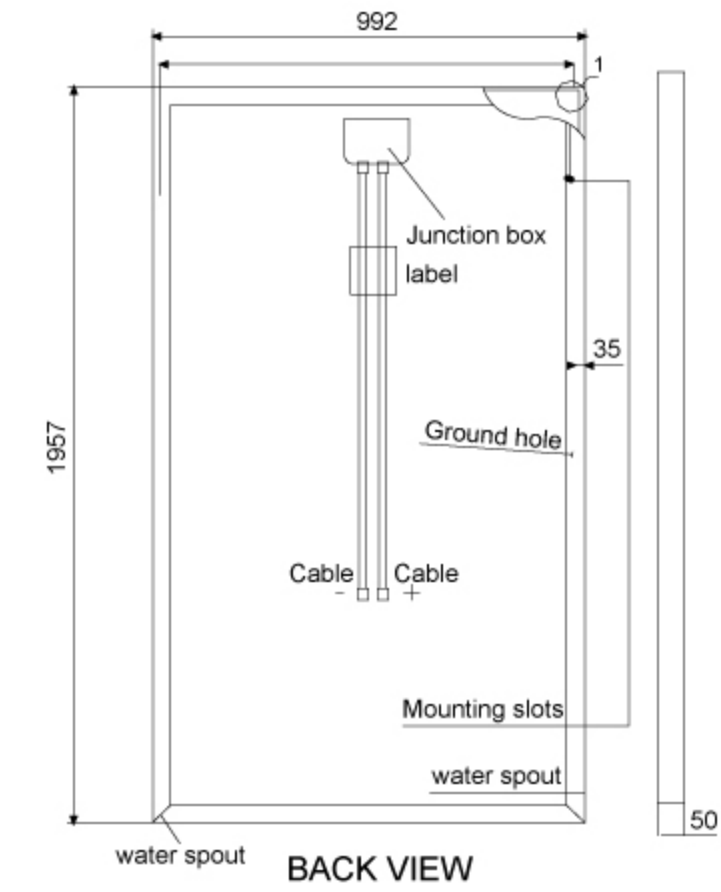
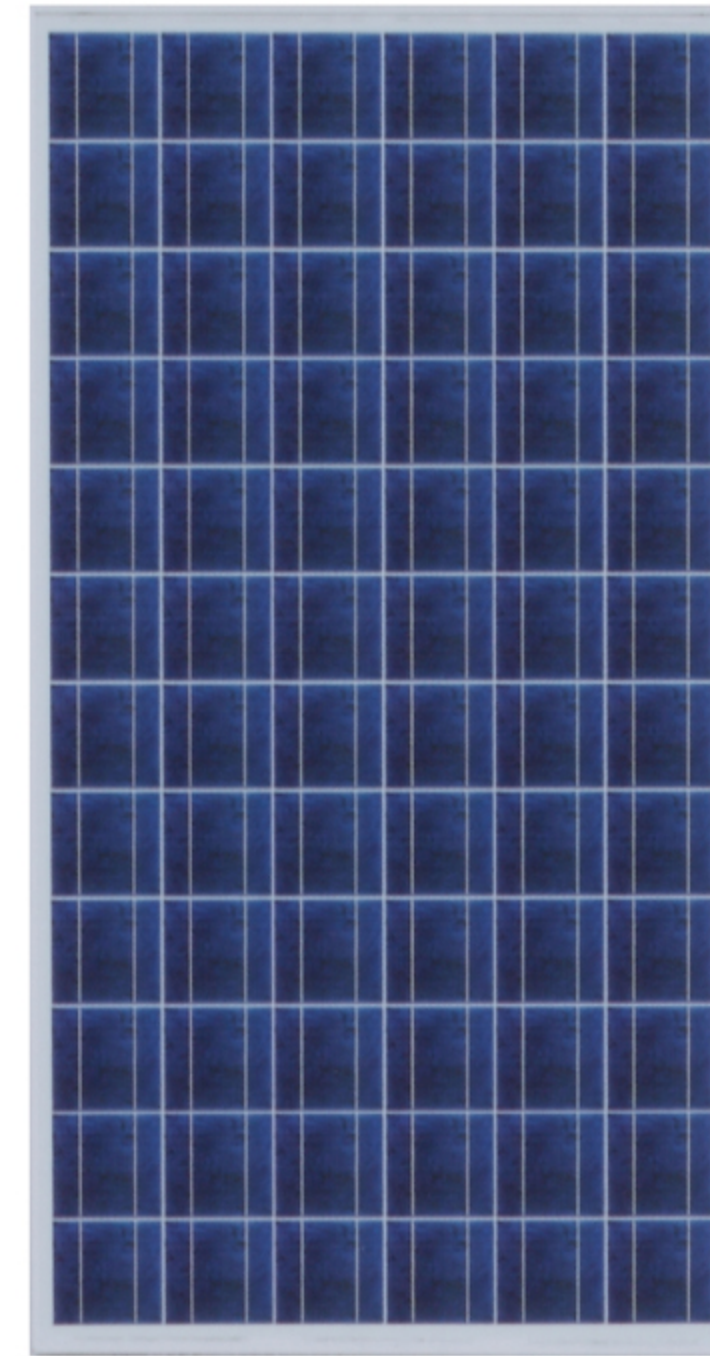


	HLSP60-230P	HLSP60-235P	HLSP60-240P	HLSP60-245P
Maximum Power(Pm)	230W	235W	240W	245W
Maximum Power Voltage(Vmp)	29.5V	30V	30V	30V
Maximum Power Current(Imp)	7.8A	7.83A	8A	8.17A
Open Circuit Voltage(Voc)	36.6V	37.2V	37.2V	37.2V
Open Circuit Current(Isc)	8.42A	8.46A	8.65A	8.74A
Module Size(mm)	1650x992x50			
Module Array(pcs)	6x10			
Size of Cells(mm)	156x156			
Weight(kgs)	19.5			
Tolerance	±3%			
Operate Temp Scope(°C)	-40/+85			
Relative Humidity	0 to 100%			
Resistances	227g steel ball fall down from 1m height and 60m/s wind			
Warranty	Pm is not less than 90% in 10 years and 80% in 25 years			



	HLSP72-285P	HLSP72-290P	HLSP72-295P	HLSP72-300P
Maximum Power(Pm)	285W	290W	295W	300W
Maximum Power Voltage(Vmp)	36V	36V	36.5V	36.5V
Maximum Power Current(Imp)	7.92A	8.05A	8.08A	8.22A
Open Circuit Voltage(Voc)	44.6V	44.6V	45.3V	45.3V
Open Circuit Current(Isc)	8.55A	8.61A	8.72A	8.79A
Module Size(mm)	1957x992x50			
Module Array(pcs)	6x12			
Size of Cells(mm)	156x156			
Weight(kgs)	22.5			
Tolerance	±3%			
Operate Temp Scope(°C)	-40/+85			
Relative Humidity	0 to 100%			
Resistances	227g steel ball fall down from 1m height and 60m/s wind			
Warranty	Pm is not less than 90% in 10 years and 80% in 25 years			