

ELECTRICAL PARAMETER

Model	NPV-M-200W	NPV-M-210W	NPV-M-220W
Maximum Power(Pm)	200W	210W	220W
Open Circuit Voltage(Voc)	35.80	35.80	36.20
Maximum Power Voltage (Vpm)	28.80	28.80	28.80
Short Circuit Current(Isc)	7.98	8.38	8.44
Maximum Power Current (Ipm)	6.94	7.29	7.56
Operating Temperature	-40°F to 185°F/-40°C to +85°C		
Maximum System Voltage	1000 V DC		
Insulation	Above 100MΩ		

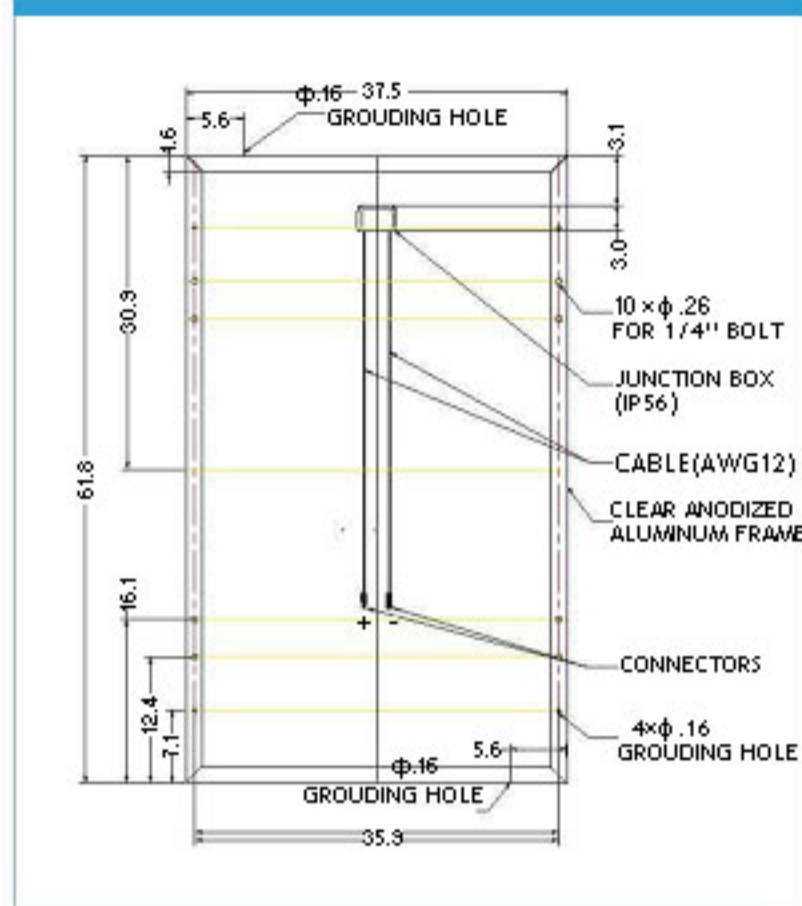
MECHANICAL CHARACTERISTICS

Cell	monocrystalline Silicon 156mmX156mm
No. of cells and connections	60(6X10)
Dimension (mm)	1640X990X50
Weight	19KG
Type of output	Junction Box

TEST AND COEFFICIENT

Cable	LAPP (4.0MM)
Temperature coefficient of Isc	+0.10%/°c
Temperature coefficient of Voc	-0.37%/°c
Temperature coefficient of Power	-0.45%/°c
NOTC	48±2°c

DIMENSIONS



STC

Irrandiance 1000W/M2,AM=1.5, Temperature 25°C

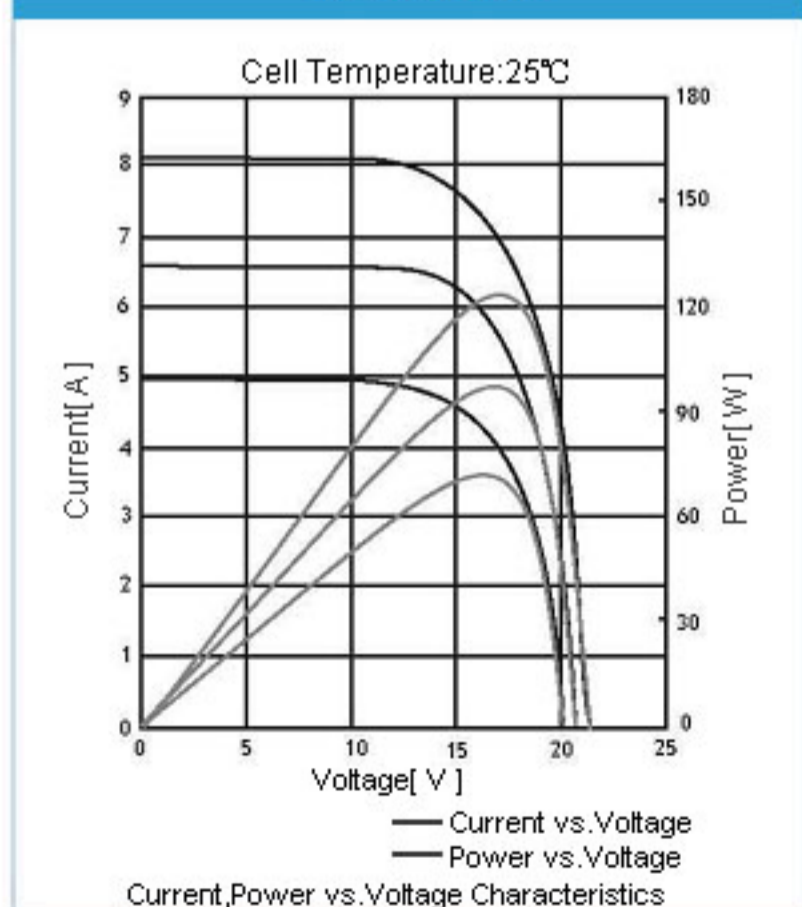
NOTC

Nominal Operation Cell Temperature

Quality Guarantee

Nominal keepmore than 90% power in 20 year,80% in 25 years

IV CURVES



The publication summarises product warranty and specification are subject to change without notice