

150W

Poly-Crystalline Solar Module

The Solar Semiconductor's family of polycrystalline PV modules offers models ranging from 125 WP to 150WP. These modules employ 156 X 156 mm polycrystalline cells and are designed for grid connects as well as off-grid applications. Other custom modules may also be configured.

The 156 mm poly-crystalline cells lay embedded in transparent EVA, behind tempered glass. The glass is inset deep in the frame thereby ensuring maximum protection. The back of the module is sealed with a high-quality backsheet. The junction box has no hollow cavities, is water tight, and is resistant to temperature and UV radiation.

KEY FEATURES

- Wide range of power with high Watt density
- By pass diodes to avoid effect of partial shading
- Anodized Aluminum alloy
- Frame and tempered glass for rugged protection in hostile environments.
- Manufactured in a state-of-the-art, automated production facility.

MODULE FAMILY

- 36 cell modules with 2-Busbar and 3-Busbar

SOLAR
SEMICONDUCTOR
THE LEADER IN SOLAR ENERGY
SOLUTIONS, PRODUCTS & SERVICES



HIGH EFFICIENCY

Modules contains high efficiency 2BB/3BB polycrystalline solar cells



QUALITY

At SSI, quality is not an afterthought; it is designed into our modules and is ensured by automated production with minimal manual intervention. Each and every module is thoroughly tested for performance.



CERTIFICATIONS

Certifications to ensure product safety and performance are provided and all modules are backed by a twenty-five year industry leading warranty.

QUALITY & SAFETY

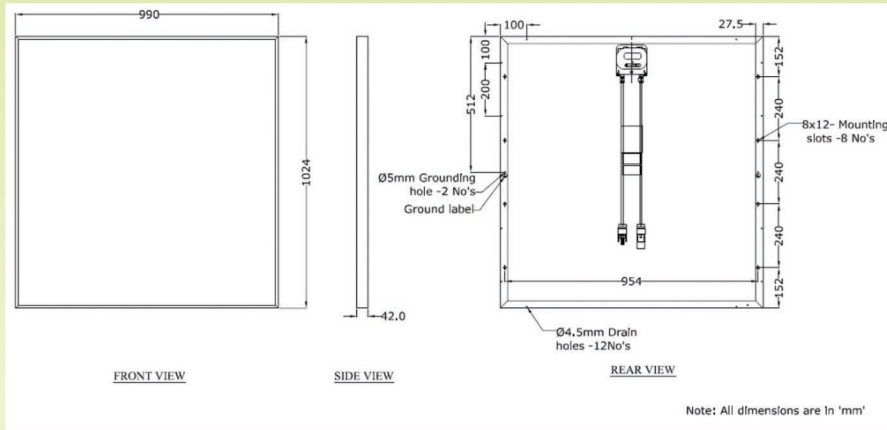
- IEC 61215, IEC 61730, IEC 61701 and CE certified
- UL 1703 certified
- CEC listed
- ISO:9001:2008 Certified Manufacturing Facility.

WARRANTY INFORMATION

- **PRODUCT WARRANTY**
5 years
- **POWER WARRANTY**
90% of minimum rated power till end of first 10 years
80% of minimum rated power till end of next 15 years

Performance under Standard Test Conditions (1000W/m², AM 1.5, 25°C)

	SSI-M6-125	SSI-M6-130	SSI-M6-135	SSI-M6-140	SSI-M6-145	SSI-M6-150
	SSI-3M6-125	SSI-3M6-130	SSI-3M6-135	SSI-3M6-140	SSI-3M6-145	SSI-3M6-150
Peak Power (Pmax,W)	125	130	135	140	145	150
Binning (Wp)	-2, +3	-2, +3	-2, +3	-2, +3	-2, +3	-2, +3
Measurement Tolerance (%)	+3	+3	+3	+3	+3	+3
Max Power Voltage (Vmp)	17.06	17.40	17.63	17.55	18.10	18.44
Max Power Current (Imp)	7.39	7.52	7.66	7.98	8.03	8.15
Open Circuit Voltage (Voc)	21.56	21.74	22.03	22.21	22.43	22.79
Short Circuit Current (Isc)	7.86	8.00	8.15	8.49	8.54	8.67
Module Efficiency (%)	12.44	12.82	13.32	13.81	14.31	14.8



Physical Parameters

No. of Cells	36
Module Dimensions (mm)	1024 X 990
Module Thickness (mm)	42
Approximate Weight (Kgs)	13

36 Cell Solar PV Module Dimensions

Operating Conditions

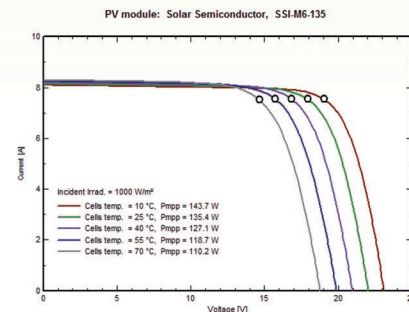
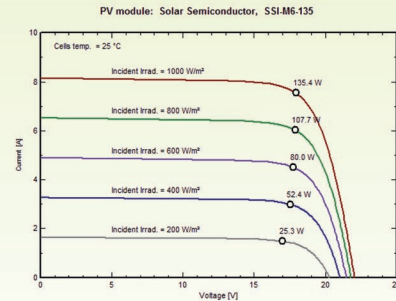
Ambient Temperature (°C)	-40 to +90
Maximum System Voltage (VDC)	600 (US), 1000 (EU)
Hail (23mm Ø) Impact Velocity (M/Sec)	23
Snow load factor	5400Pa

Cell Temperature Coefficients

Open Circuit Voltage	-0.36 % / °C
Short Circuit Current	+0.06 % / °C
Nominal Power	-0.43 % / °C

Mechanical Characteristics

Cable	No. 12 AWG, 4 mm ²
PV Connectors	MC4/MC3/Tyco/Bizlink
Frame	Silver Anodized Aluminum Alloy
Junction Box	IP65 Junction box with, 4 terminals
Glass	3.2 mm thick low iron tempered



Solar Semiconductor is a pioneer in offering innovative solutions that leverage Sun's energy to address various demands for electricity. With offices in USA, Canada, Dubai and manufacturing operations in Hyderabad, India, Solar Semiconductor is an international organization that offers PV solutions, products and services to worldwide markets including the Americas, Europe, Asia and Africa.



USA
4633 Old Ironsides Dr
Suite # 310, Santa Clara,
CA 95054, USA
Phone: +1 408 567 9119
Fax: +1 408 567 9122

INDIA
Corporate Office & Manufacturing Facility
FAB City, Survey # 114/P
Srinagar Village, Maheshwaram Mandal
RR Dist 501359, Andhra Pradesh
Phone: + 91 40 67303000
Fax: +91 40 673033003



Website: www.solarsemiconductor.com
Email: sales@solarsemiconductor.com