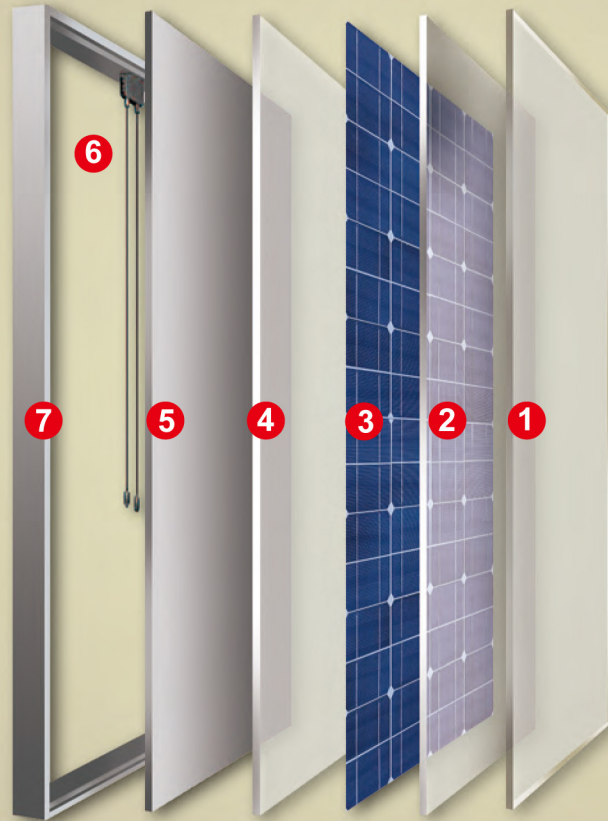




**Xu Yang Solar  
MODULE**  
polycrystalline

XY-230—250P  
156X156 MODULE

- 1 tempered glass
- 2 EVA
- 3 Solar cells
- 4 EVA
- 5 Backsheet
- 6 Junction box
- 7 Frame



Outstanding mechanical load performance enables each panel to withstand wind up to 200 km/h or snow up to 550 kg/m<sup>2</sup>.



In-line Electroluminescence (EL) testing of each panel ensures no micro - cracks or mismatch on cells.



Ammonia Endurance Test(IEC62716) and Salt Mist Test(IEC61701) verified the excellent performance of each panel in harsh or unusual environments.



Aging test under 85 °C and 85 % relative humidity for at least 1500 hours guarantees a low power degradation for 25 years.

**PACKAGING CONFIGURATION**

Model	1640x990x40
Module Q'ty per pallet	23pcs
Module Q'ty per container	644pcs/40ft

**Warranty**

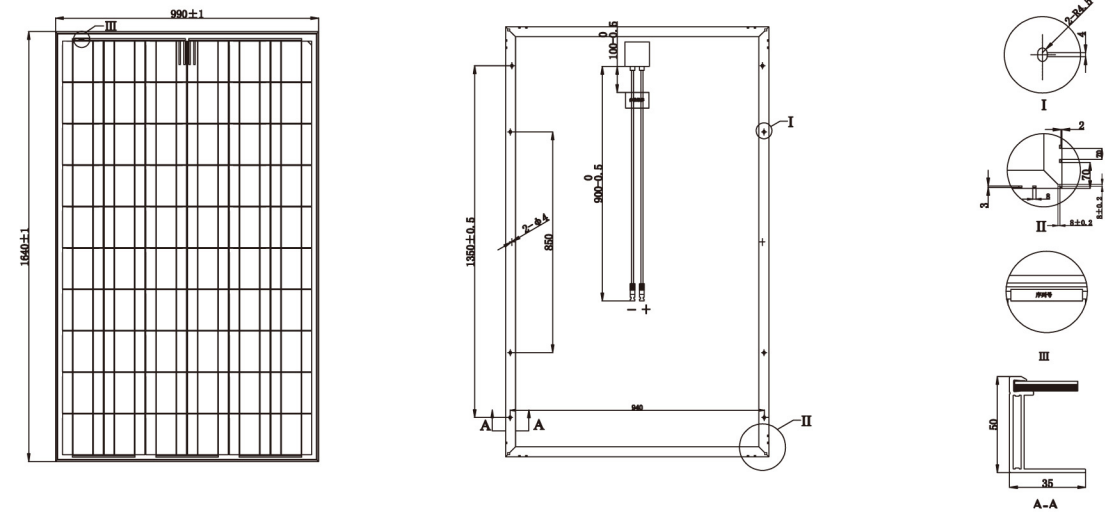
- All panels with positive tolerance up to 0-5W
- 12 years guaranteed in 90 % minimum power output
- 10 years guaranteed in product material
- 25 years guaranteed in 80 % minimum power output

**Insurance**

Product material and performance are insured with Product Liability and Financial Injury Liability Insurance

**MECHANICAL SPECIFICATION**

Unit: mm



**ELECTRICAL CHARACTERISTICS**

mechanical Characteristics	Dimension(mm)	Max-System Voltage	Max-Power	Max-power Voltage	Max-Power Current	Open-circuit Voltage	Short-Circuit Current	Max-Series Fuse	Cell Efficiency	Module Efficiency
		(VDC)	Pm(W)	VPm(V)	IPm(A)	VOC(V)	ISC(A)	(A)	(%)	γ(%)
250w	1640x990x40	DC1000V	250	31.1	8.04	37.32	8.84	13	17.6	15.40
245w	1640x990x40		245	30.9	7.92	37.08	8.72	13	17.2	15.09
240w	1640x990x40		240	30.5	7.87	37.64	8.66	13	17	14.78
235w	1640x990x40		235	30.2	7.78	37.27	8.56	13	16.8	14.47
230w	1640x990x40		230	30.1	7.67	37.14	8.45	13	16.6	14.17

**MECHANICAL CHARACTERISTICS**

Cell(mm)	156x156mm
No of cells	6x10/60
Weight(kg)	20
Glass, Type and Thickness	High Transmis, Low Iron, Tempered Glass 3.2mm
Frame	anodised aluminium
Junction box	IP65
Cable Type, Diameter and Length	4.0mm <sup>2</sup> , TUVcertified, 900mm
Dimension	1640x990x40
Certificates	TUV(IEC 61215 & IEC 61730), CE

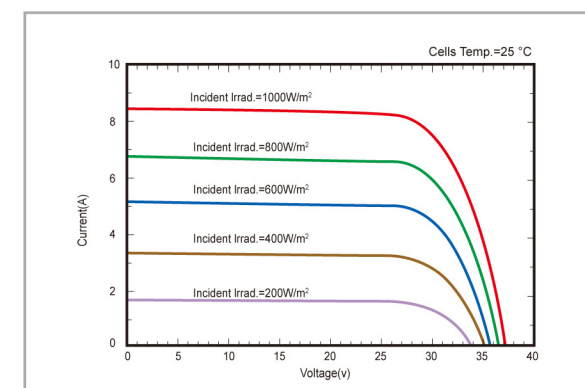
**TEMPERATURE COEFFICIENTS**

Nominal Operating Cell Temperature NOCT	47 ±2°C
Pmpp	-0.471 %/°C
Isc	-0.347 %/°C

**LIMITS**

Operating Temperature	- 45°C TO + 85°C
Mechanical Load	<5400Pa
Max-Series Fuse	13A
VDC	DC1000V
Tolerance	0~+3%

**I-V CURVES**



Standard Test Condition(STC) of Irradiance of 1000W/m<sup>2</sup>, AM1.5 Solar Spectrum & 25°C cell temperature.

XY-230—250P POLYCRYSTALLINE 156x156 MODULE