

STS-5M- (70-100) M-36 MONO CRYSTALLINE SOLAR MODULES 单晶硅太阳能电池

PRODUCT OVERVIEW 产品简介

- STS Solar's modules are optimally manufactured and adjusted to meet the needs of the current market; scientifically designed module dimension makes the installation simple and easy.
- 产品符合市场需求，尺寸设计科学合理、安装简便
- Our continuous efforts in quality assurance system and certifications the international authentication institutions of STS Solar's products demonstrate our commitment to product quality and customer requirements.
- 产品性能稳定、质量可靠，已获得国内外权威机构检测认证

MODULE CHARACTERISTICS 产品特点

- High efficiency crystalline silicon solar cells.
- 高效晶硅太阳能电池片
- High transmission low iron tempered glass, strong mechanical resistance.
- 高透光低铁钢化玻璃
- Standard waterproof junction box, with bypass diode.
- 标准防水接线盒（带二极管）.
- High endurance to different atrocious weather.
- 高耐候性
- Custom designed modules according to clients' requirement.
- 根据客户需求量身定制

MECHANICAL PARAMETERS 物理性能

Cell(mm)	Mono 125×125
电池片(mm)	单晶 125×125
Weight(kg)	7.8
重量(kg)	7.8
Dimensions(LxWxH)(mm)	1200×540×35
尺寸(LxWxH)(mm)	1200×540×35
Cable Length(mm)	≥900
线缆长度(mm)	≥900
Cable cross section size(mm ²)	4
线缆截面大小	4
No. of cells and connections	36 (9×4)
电池片数量	36 (9×4)
No. of diodes	2
二极管数量	2
Packing configuration	2pcs/carton
包装	2pcs/carton

WORKING CONDITIONS 工作条件

Maximum System Voltage	DC 1000V
峰值电压	DC 1000V
Operating Temp.	-40℃~+85℃
工作温度	-40℃~+85℃
Maximum Series Fuse (A)	10
最大保险系数(A)	10
Static loading	≥2400Pa
抗压	≥2400Pa
Grounding conductivity	≤0.1Ω
地表导电率	≤0.1Ω
NOCT	45±2℃
电池额定工作温度	45±2℃
Application Class	Class A
应用等级	A 级
Insulation Resistance	≥100MΩ
绝缘电阻	≥100MΩ

GUARANTEE 质量保证

10-year limited product warranty.

十年产品质保

Limited performance warranty: 10 years at 90% of the minimal rated power output, 25 years at 80% of the minimal rated power out

功率保证：输出功率 10 年内不低于额定功率的 90%，25 年内不低于额定功率的 80%

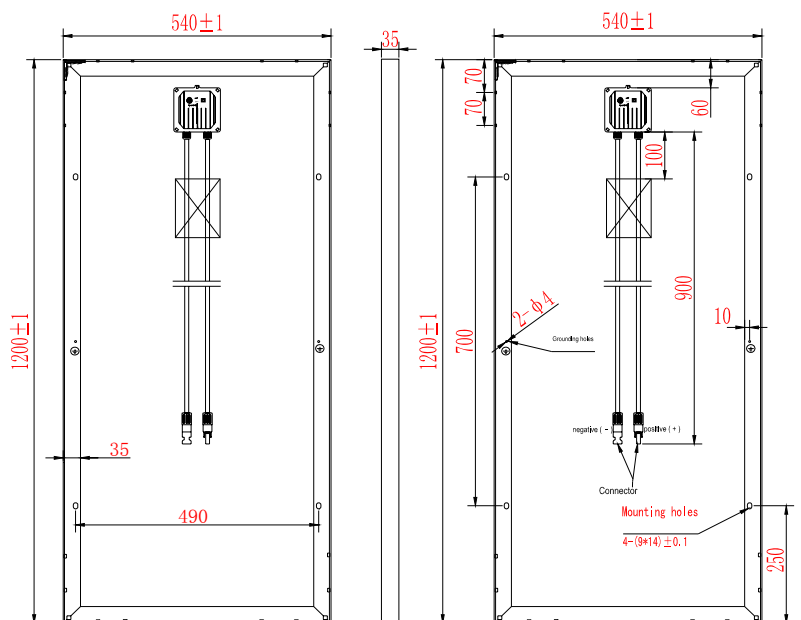
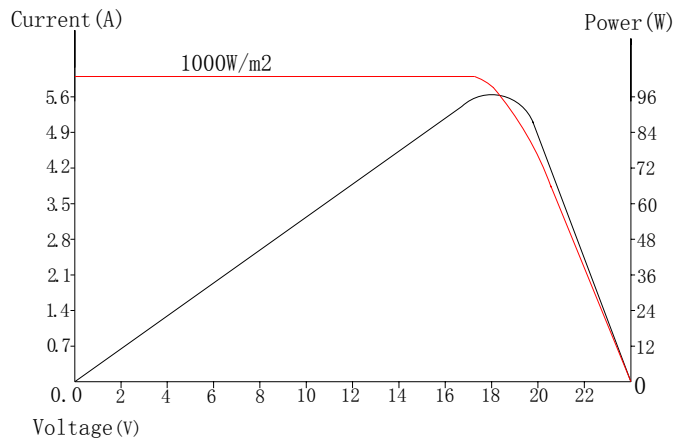
STS-5M- (70-100) M-36

MONO CRYSTALLINE SOLAR MODULES 单晶硅太阳能电池

ELECTRICAL PARAMETERS 电性能参数

TYPE 型号	STS-5M-70M-36	STS-5M-75M-36	STS-5M-80M-36	STS-5M-85M-36	STS-5M-90M-36	STS-5M-95M-36	STS-5M-100M-36
Pmax(w) 功率	70	75	80	85	90	95	100
(Voc/V) 开路电压	21.3	21.5	21.9	22.2	22.3	22.5	22.7
(Vmp/V) 峰值电压	17.4	17.5	17.6	17.8	18.0	18.1	18.2
(Isc/A) 短路电流	4.4	4.7	4.88	5.14	5.36	5.63	5.89
(Imp/A) 峰值电流	4.03	4.29	4.55	4.78	5.0	5.25	5.5
Power Tolerance 公差	±3%						
α Isc α 温度系数	+0.06%/°C						
β Voc β 温度系数	-0.36%/°C						
γ Pmp γ 温度系数	-0.48%/°C						
STC 标准测试条件	AM1.5, 1000W/m ² , 25°C						

I-V CURVE 曲线图



Zhejiang Jingshang New Energy Technology Inc.

浙江晶尚新能源科技有限公司

Add: Nanxun Industrial Park, Huzhou, Zhejiang, 313009 China

地址: 浙江省湖州市南浔工业园区

Tel: +86 572 3872111 Fax: +86 572 3872098

E-mail: sales@sts-pv.com Web: <http://www.sts-pv.com>