

KOHIMA ENERGY PVT LTD

Company Over view and Product Data sheet

2011



Kohima Energy Pvt Ltd (Corp Office)
6-3-1109/G/1, Ground Floor, Nava Bharat
Chambers, Raj Bhavan Road, Somajiguda,
Hyderabad - 500 082, Phone : +91 40 64578016

**kohima**

KOHIMA ENERGY PRIVATE LIMITED

Overview of Kohima Energy

The Modules are planned to be produced to meet international UL and TUV/IEC standards. The unit will be producing initially 60 cell configuration modules with normal contacts. Each module is expected to produce to power output 250 watt (peak), using cells of 156mm x 156mm size and $180 \pm 20\mu\text{m}$ thickness.

MODEL: KE-60-M250



STRENGTHS:

1. Positive Power Tolerance (-0 Wp/+4.99Wp)
2. High Efficiency Multi Crystalline Cells
3. Suitable for grid and off-grid applications
4. Robust, corrosion resistant aluminum frames independently tested to withstand wind loads of up to 2.4Kpa and snow loads of up to 5.4Kpa ensuring a stable mechanical life for your modules.
5. Module packaging optimized to protect product during transportation.

Guarantee on power output:

1. 25 years overall guarantee
2. 10 years guarantee for 90% power output

Kohima Energy Pvt Ltd

Plot 1, Block I, Phase 2, VSEZ, Duvvada
Vishakhapatnam, Andhra Pradesh-530049
Phone: 040 6457 8016

Kohima Energy Pvt Ltd (Corp Office)

6-3-1109/G/1, Ground Floor, Nava Bharat
Chambers, Raj Bhavan Road, Somajiguda,
Hyderabad - 500 082, Phone : +91 40 64578016

KOHIMA ENERGY PRIVATE LIMITED

3. 15 years guarantee for 80% power output

SPECIFICATIONS

STC-Irradiance of 1000 W/sq. m at 25°C	UNITS	KE-60-M250
Maximum Power (Pmax)	Wp	250
Maximum Power Voltage(Vmp)	V	31.44
Maximum Power Current(Imp)	A	7.96
Open circuit Voltage(Voc)	V	37.86
Short Circuit Current(Isc)	A	8.69
Fill Factor	%	75.98
Module Efficiency(η)	%	15.4

NOCT-Irradiance of 800 W/sq. m at 45°C	UNITS	KE-60-M250
Maximum Power (Pmax)	Wp	182.0

THERMAL CHARACTERISTICS

Nominal Operating Cell Temperature	NOCT	°C	45 ± 2
Temperature Coefficient of Isc	α	%/°C	0.04
Temperature Coefficient of Voc	β	%/°C	-0.32
Temperature Coefficient of Pmax	r	%/°C	-0.45

System integration parameters

Maximum system voltage (IEC)	1,000 VDC
Maximum system voltage (UL)	600 VDC
Maximum series fuse rating	15 A
Maximum reverse current	Do not apply external voltages larger than Voc to the module
Fire Safety Classification	Class C
Certifications	IEC 61215, 61730, UL1703

Physical characteristics

Cells per module	60
Cell type	Multi - crystalline silicon
Module dimensions	1648 x 985 x 40mm
Junction box	IP65 and 3 internal bypass diodes of 15A, 40V
Frame	Silver Anodized Aluminum
Front Glass	3.2mm Tempered glass

Kohima Energy Pvt Ltd

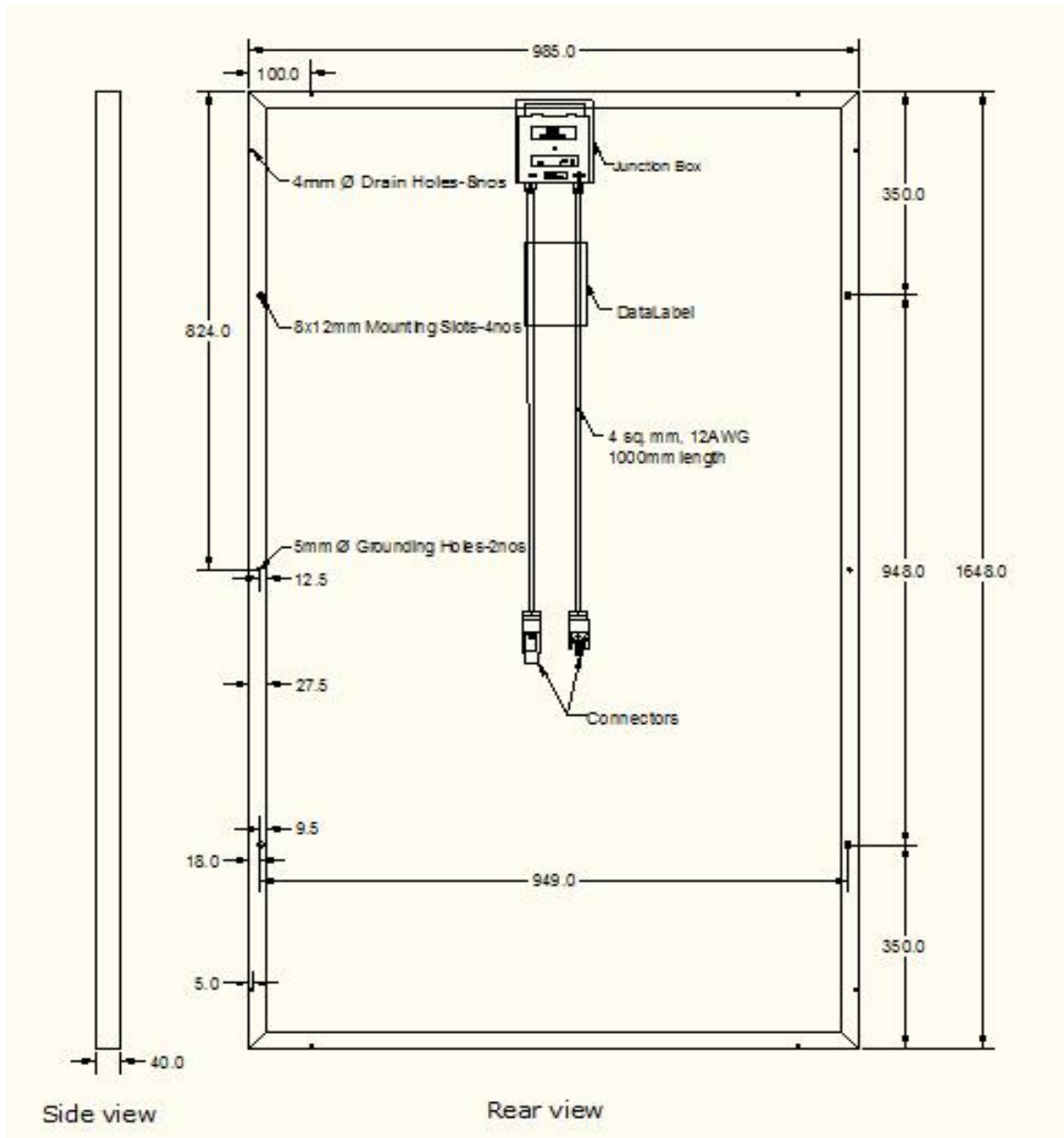
Plot 1, Block I, Phase 2, VSEZ, Duvvada
Vishakhapatnam, Andhra Pradesh-530049
Phone: 040 6457 8016

Kohima Energy Pvt Ltd (Corp Office)

6-3-1109/G/1, Ground Floor, Nava Bharat
Chambers, Raj Bhavan Road, Somajiguda,
Hyderabad - 500 082, Phone : +91 40 64578016

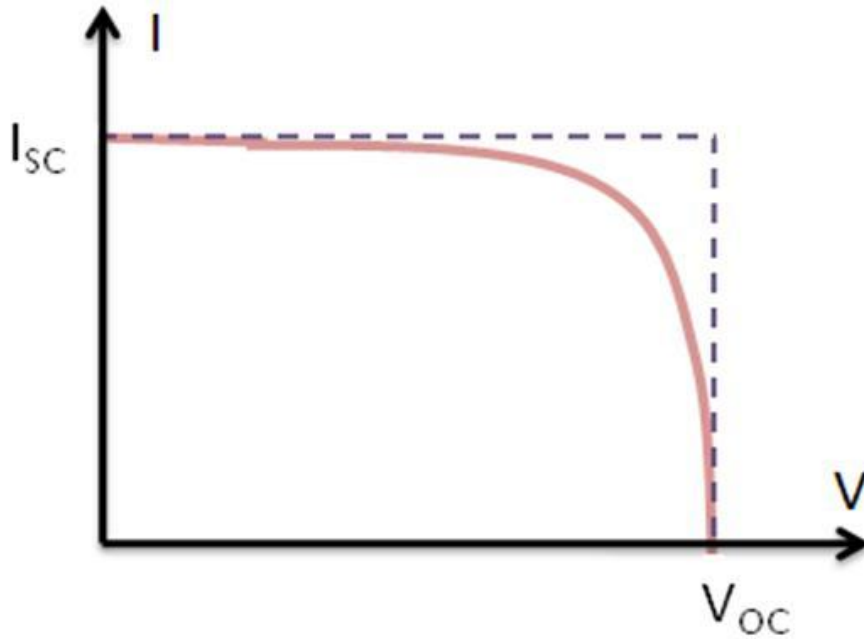
KOHIMA ENERGY PRIVATE LIMITED

Details of PV



KOHIMA ENERGY PRIVATE LIMITED

Module IV – Curve



Kohima Energy Pvt Ltd

Plot 1, Block I, Phase 2, VSEZ, Duvvada
Vishakhapatnam, Andhra Pradesh-530049
Phone: 040 6457 8016

Kohima Energy Pvt Ltd (Corp Office)

6-3-1109/G/1, Ground Floor, Nava Bharat
Chambers, Raj Bhavan Road, Somajiguda,
Hyderabad - 500 082, Phone : +91 40 64578016

KOHIMA ENERGY PRIVATE LIMITED

