

ECO-240P60 240Wp  
 ECO-245P60 245Wp  
 ECO-250P60 250Wp  
 ECO-255P60 255Wp  
 ECO-260P60 260Wp

ECO-\*\*\*P60 All black series as optional

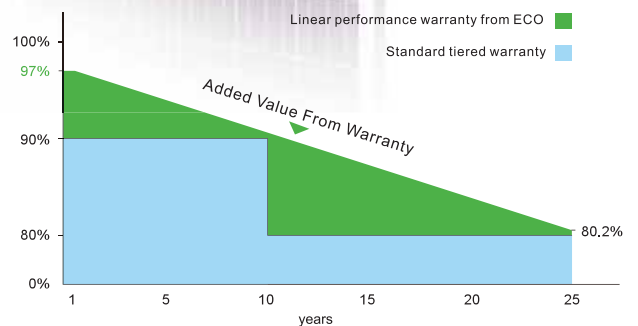


## Features

- Cost-effective standard solar modules for skylight, roofing and facades applications.
- 0 to +3% positive tolerance for mainstream products.
- Withstand high wind loads and snow loads (5400Pa).
- Anti-reflective highly transparent, low iron tempered glass.
- Whole black and frame features aesthetic appearance.
- Transmission rate 3.18%.

## Benefits

- 25-year linear performance warranty.
- 10-year warranty on materials and workmanship.
- Product enforced by CHUBB insurance.
- 48 hour-response service.
- Enhanced design for easy installation and long-term reliability.



## ECO Future Manufacturer Industry (Malaysia) Sdn.Bhd

No2, Jalan Sungai Batu, Kawasan Perindustrian Klang Utama  
 42100, Klang, Selangor, 42500, Malaysia.

TEL 0060-3-32919773 FAX 0060-3-32906535  
 E-mail sales@eco-future.com.my



# ECO MODULE POLYCRYSTALLINE

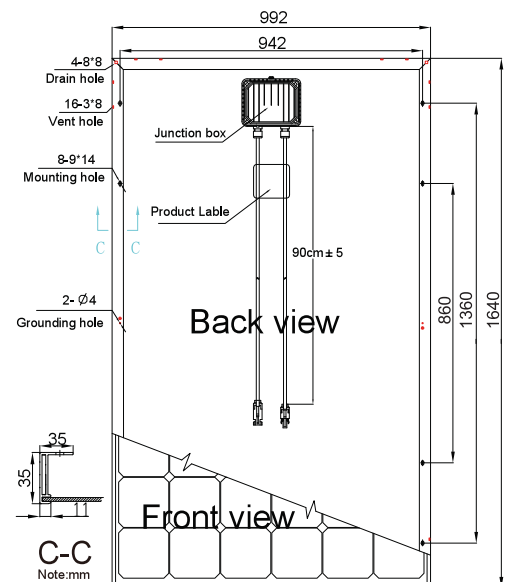
## Typical Electrical Characteristics



Characteristics	ECO-240P60	ECO-245P60	ECO-250P60	ECO-255P60	ECO-260P60
Max.Power(Pmax)	240Wp	245Wp	250Wp	255Wp	260Wp
Optimum Operating Voltage(Vm)	30.20V	30.25V	30.76V	31.37V	31.91V
Optimum Operating Current(I <sub>m</sub> )	7.96A	8.10A	8.13A	8.13A	8.15A
Open-circuit Voltage(V <sub>oc</sub> )	37.70V	37.73V	37.75V <td 38.48V	39.10V	
Short-circuit Current(I <sub>sc</sub> )	8.38A	8.55A	8.55A	8.56A	8.56A
Cell Efficiency	16.40%	16.80%	17.10%	17.46%	17.80%
Module Efficiency	14.75%	15.05%	15.37%	15.67%	15.98%

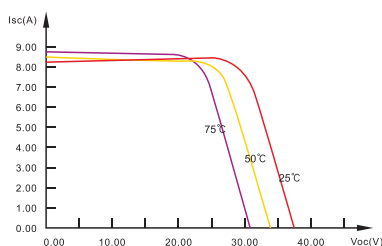
Note: the specifications are obtained under the Standard Test Condition(STC):1000 W/m<sup>2</sup> solar irradiance, AM1.5, Cell Temperature 25°C.

Solar Cell	Poly-crystalline 156x156mm
Output Tolerance(Pmax)	0 ~ +3%
Number of cells	60 cells in series
Module Dimension	1640x992x35mm
Weight	18.8kg
Max.System Voltage	1000V(TUV)/600V(UL)
Max.Series Fuse Rating	15A
Output Cable	PV 4mm <sup>2</sup>
Cable Length	90cm±5
Number of bypass diodes	3/6
Temperature cycling range	(-40 ~ 85°C )
NOCT	47°C ± 2°C
Temperature coefficients of I <sub>sc</sub>	+(0.053±0.01)%/K
Temperature coefficients of V <sub>oc</sub>	-(0.35±0.001)%/K
Temperature coefficients of P <sub>max</sub>	-(0.40±0.05)%/K
Load Capacity	330 pcs/20'GP 868 pcs/40'HQ



## Electrical Characteristics

I-V Curves of PV module ECO-250P60 at various cell temperatures



I-V Curves of PV module ECO-250P60 at various solar irradiance

