



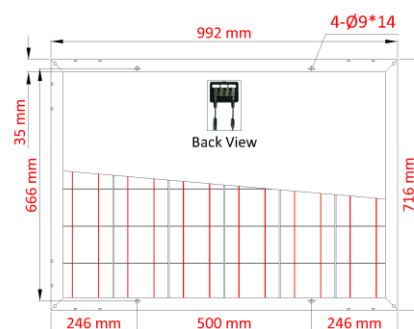
Parasol
Energy Limited

Technical Data Sheet

PEL36P100

IEC 61215, IEC61730 1-2 Certified

Parasol 100 W solar panel



Characteristics

Electrical Characteristics

Maximum Power (Pmax)	100 Wp
Warranted Minimum Power	96 Wp
Voltage at Pmax (Vmp)	18.77 V
Current at Pmax (Imp)	5.353 A
Short Circuit current (Isc)	5.677 A
Open Circuit voltage (Voc)	22.2 V
Temperature coefficient of Current	4.71 mA/K
Temperature coefficient of Voltage	-2.02 mV/K
Temperature coefficient of Power	-0.41 %/K
NOCT @ AT 20°C, irr. 800 W/m ² , WS	46±2°C
Fill Factor (FF)	77%
Maximum System Voltage	1000 V (TüV rating)

Mechanical Characteristics

Junction Box Type	IEC certified IP65 rated 2-terminal JB with by-pass diodes, PPO/PA black
Connectors and Cables Type	4 mm ² with MC4 connectors
Construction	Front: high transmission >91.6% glass. Rear: White Tedlar Encapsulant: EVA
Glass	High trans.>91.6% low-iron 3.2mm
Frame	Clear anodized aluminium alloy 6063-T5. Color: Silver
Series Fuse Rating	6 Ampere

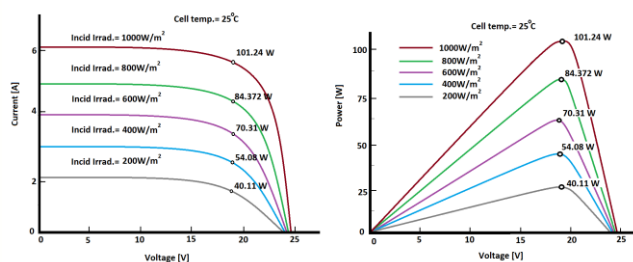
Specifications

Specifications

Cell Size (mm)	156 x 104
Cell Efficiency (%)	>17.2
Number of cells (Pcs)	36 (6 x 6)
Size of module (mm)	992 x 716 x 35
Weight per piece (kg)	8.5

Quality and Safety

Quality Certification	IEC61215 and IEC61701 by TüV
Electrical Safety	IEC 61730-1-2
Safety class	II
Quality test sampling for TüV	According to IEC60410
Conformity to EC Directive	89/33/EEC, 73/23/EEC 93/68/EEC



STC: Irradiance 1000W/m², Module temperature 25°C, AM1.5 spectrum

Conditions

- Warranty: 5 years limited product workmanship warranty, 25 years limited output warranty: 10 years warranty for 90% rated power output, 25 years warranty for 80% rated power output
- Standard Testing Conditions (STC), irradiance of 1000W/m² at an AM1.5G solar spectrum and a cell temperature of 25°C
- This publication summarizes product warranty and specifications which are subject to change without notice

