



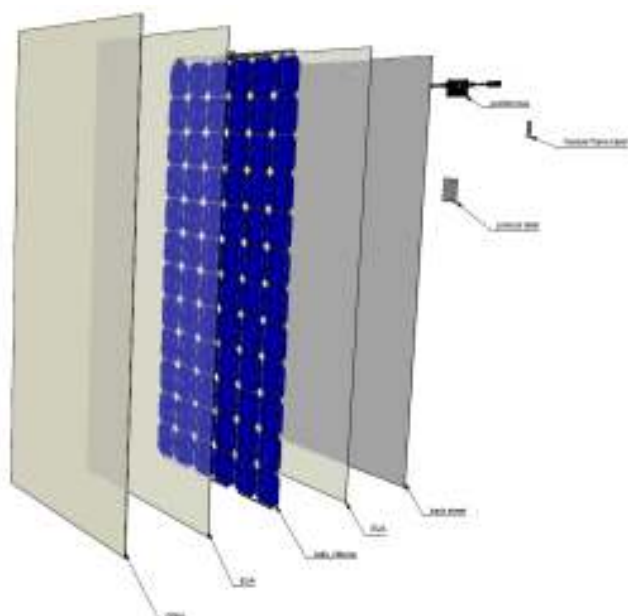
Module Specification: 72 cells mono 125 series (195W) Modules	Product code: QSP-72X-125	
Quoncion Solar – solar modules global supplier	Ver. : 1.0	Page: 1/3

- High quality, Stable working performance.
- 25 years Warranty, 10 years / 90%, 25 years/80%.
- 5 years Warranty for workmanship.
- All warranty come into force by our insurance. Get money back right away.
- TUV/UL /CEC/CSTB listed.
- Bankable to buy in confidence.
- Positive tolerance for Total ordered Power.
- OEM brand allowed, put your company name on modules through our CO-License.

Construction

Quoncion solar modules 195W Mono is consisting of the following components:

- PV Tempered Glass(Pattern & Float)
- Embedding material (EVA)
- 72 crystalline 5 inch mono silicon cells
- Copper ribbon
- Back sheet
- Junction box
- Labels
- Frame



Module Specification:
72 cells mono 125 series (195W) Modules

Product code:
QSP-72X-125



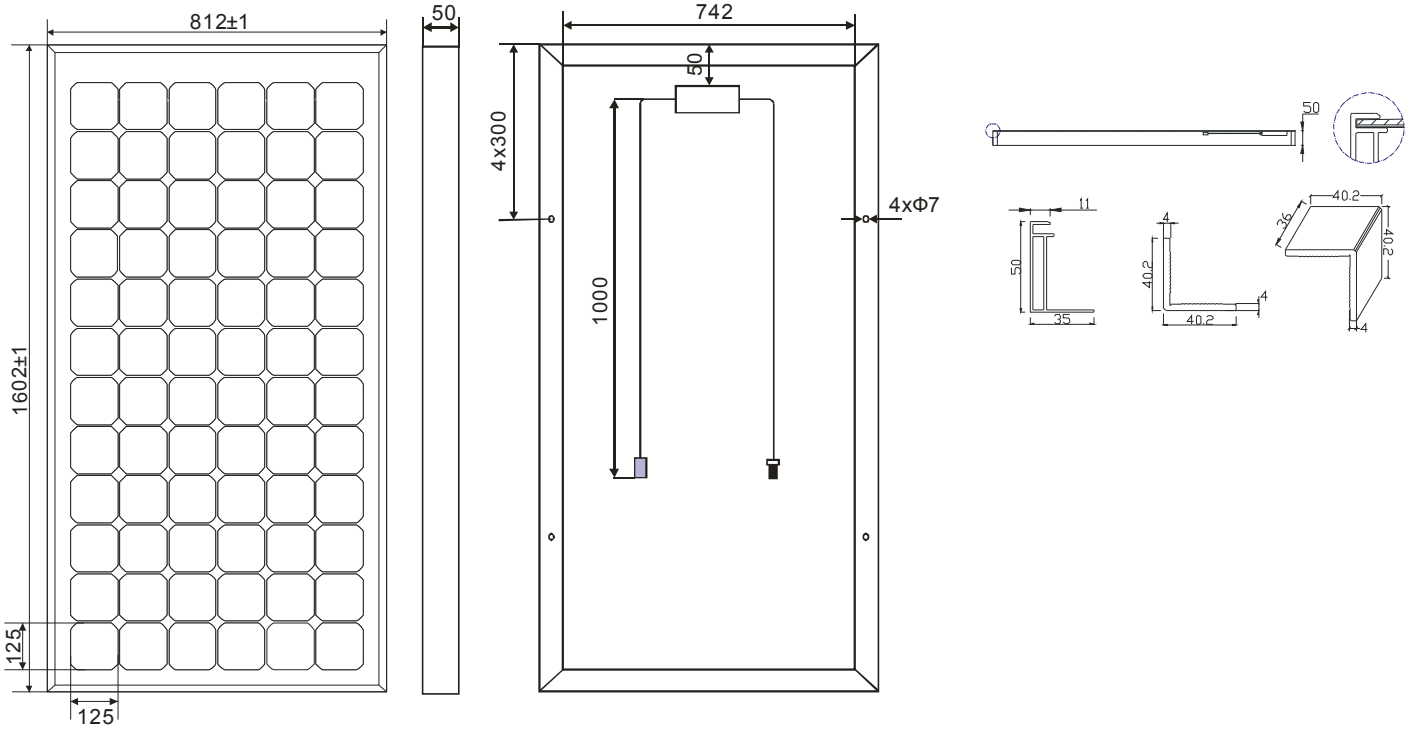
Quoncion Solar – solar modules global supplier

Ver. : 1.0

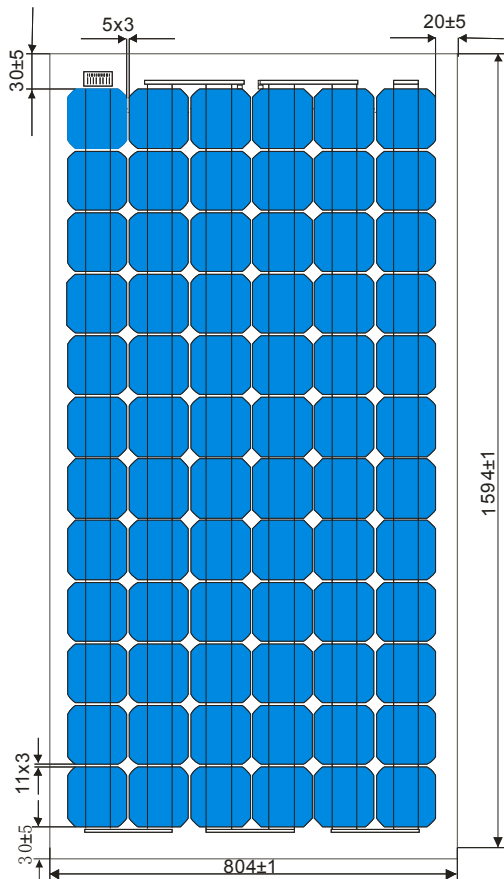
Page: 2/3

Drawings

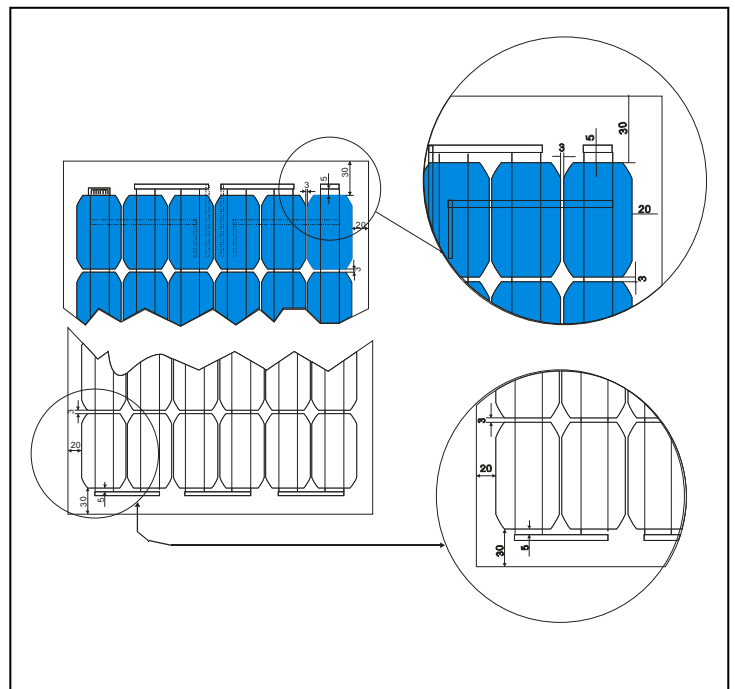
Front / back/side Modules Measure:



Front, laminate size



Front, string connector



**Module Specification:
72 cells mono 125 series (195W) Modules**

Product code:
QSP-72X-125



Quoncion Solar – solar modules global supplier

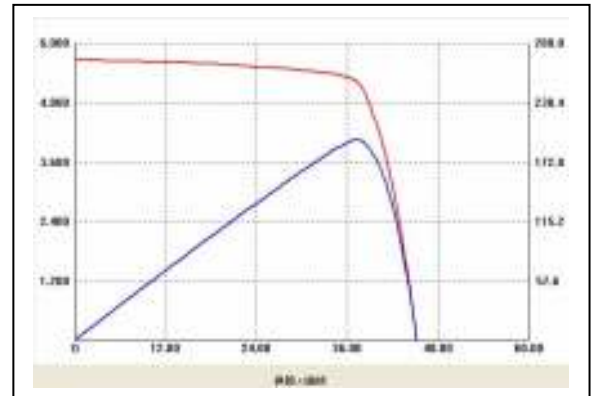
Ver. : 1.0

Page: 3/3

Electrical Parameter:

Mode	QSM-195	
	STC	NOCT
Pmp	196.57	139.19
Vmp	37.73	33.22
Imp	5.21	4.19
Voc	45.07	41.25
Isc	5.65	4.54

*STC: 1000W/m²,25°C,AM1.5 *NOCT: 800W/m²,25°C,AM1.5



Thermal Characteristic:

TC of Pmp	%/°C	- 0.46± 0.02	Max System V	1000V DC
TC of Voc	%/°C	- 0.34± 0.01	Operating Temp	-40°C to +85°C
TC of Isc	%/°C	+ 0.06±0.02	Max series fuse	16A

Mechanical Characteristic:

Cells	Mono 125*125mm(5")
Array	6*12
Size	1602*812*50mm
NW	16kg
Jbox	TUV IP67 w/MC4
Cable length	1000mm+600mm
Bypass diodes	3pcs built-in

Packing configuration:

container	20'	40'GP
Q'ty(pcs)	360	700

For Dealer

Company:
Contacting:
Tel:
Email:

Which brand to buy

Quoncion Your brand Blank

Dong Guan Quoncion Solar Energy Technology Co., Ltd

Add: 39th,ZhuShan Industry Park, Da Lang Town, Dong Guan City, Guang Dong Province China,523772

Tel: 86-(0)769-8626 1866 Fax: 86(0)769-8318 9158 Mail: sales@quoncionsolar.com; Web: www.quoncionsolar.com

Notes: Quoncion Solar reserves the right to make change and modification of specification without notice, 2011.