

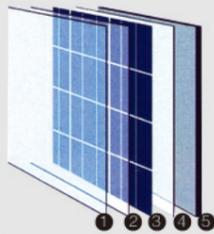


RDM SOLAR PHOTOVOLTAIC

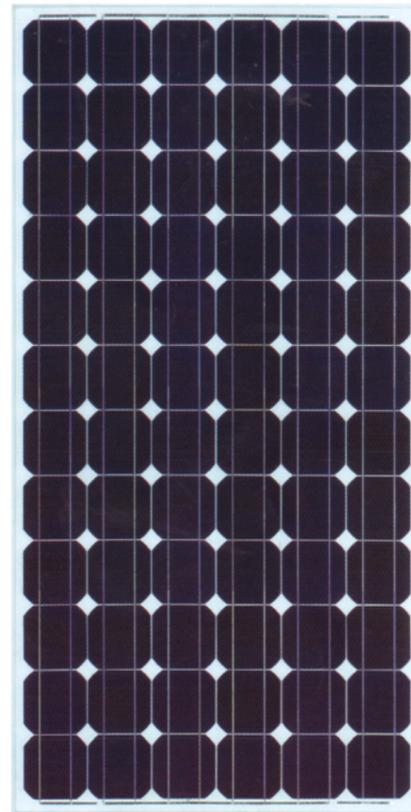
Mono Solar Module 190 Series

高效电池组件
High Efficiency Solar Module

Temperature Coefficient 温度系数



- 1 Tempered Glass
- 2 EVA
- 3 Cells
- 4 EVA
- 5 Triple-layer Back Sheet



NOCT (Nominal Operating Cell Temperature) 标称操作电池温度	47±2°C	Current temperature coefficient (ISC) ISC温度系数	+0.09%/°C
Voltage temperature coefficient (Voc) voc温度系数	-0.34%/°C	Power temperature coefficient (Pmp) Pmax温度系数	-0.37%/°C

Characteristics 特征

High efficiency solar cells ensures high performance of solar module and create more power in peak hours.
高效率的电池片确保了太阳能电池板的高效性以及光照高峰时段创造出更多的电量。

3.2mm high transmissive low iron tempered glass. EVA laminate with glass yields long life modules while enhancing cell performance.
3.2毫米高透明低铁钢化玻璃。EVA和玻璃层压确保了组件的长寿命，同时也提高了电池性能。

3.2mm high transmissive low iron tempered glass. EVA and glass layer ensure the long life of the component, and also improve the battery performance.

Bypass diodes to avoid hot-spot effect.
使用旁路二极管以避免热点效应。

Pre-cables with fast-connecting systems for convenient installation.
简易连接器方便系统安装。

Stable, heavy duty anodized aluminum frames with convenient mounting access, for high wind pressure and snow load.
带有安装槽的铝边框，经持久阳极化处理保证组件在高风压和高强度降雪的压力下正常工作。

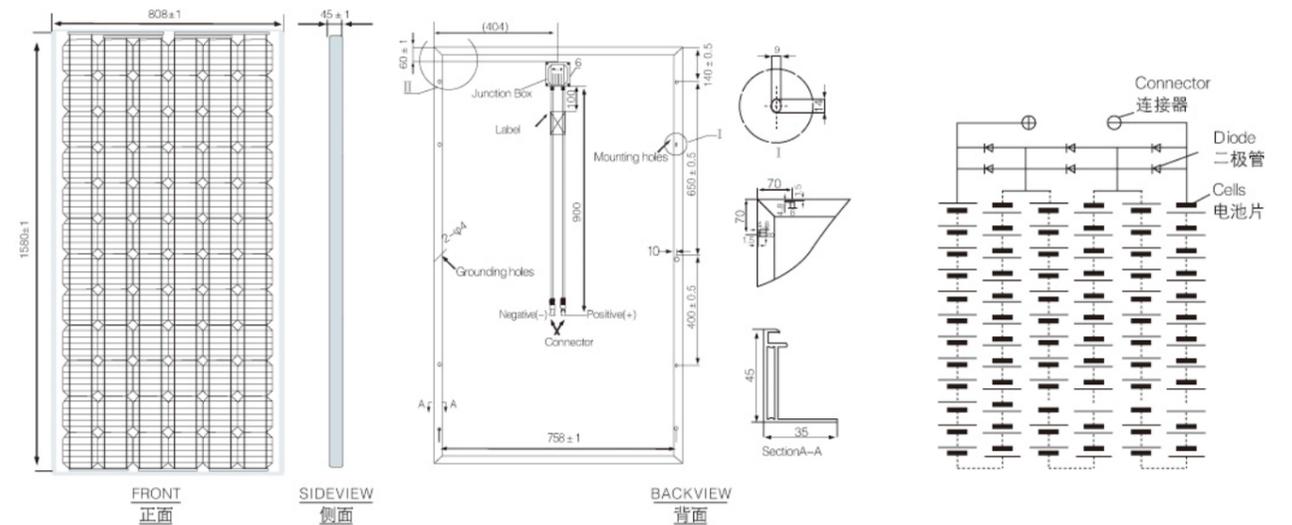
The backside of frames is equipped with drainage holes in order to eliminate the risk that rain or snow water may accumulate in the frame through and freeze or even bend the frame in cold season.
支架背面配备排水孔，消除雨雪堆积冰冻和在寒冷季节压弯支架的危险。

25 years limited power warranty.
25年保质期。

Specified Data 组件参数

Model 型号	RDMSM-165M	RDMSM-170M	RDMSM-175M	RDMSM-180M	RDMSM-185M	RDMSM-190M
Power rating 最大输出功率	[Wp] 165W	170W	175W	180W	185W	190W
Open Circuit Voltage 开路电压	[Vod] 42.0V	42.6V	42.6V	43.2V	43.2V	43.2V
Open Circuit Current 短路电流	[Isc] 5.28A	5.36A	5.52A	5.6A	5.76A	5.91A
Maximum Power Voltage 峰值电压	[Vmp] 35.0V	35.5V	35.5V	36.0V	36.0V	36.0V
Maximum Power Current 峰值电流	[Imp] 4.71A	4.79A	4.93A	5.0A	5.14A	5.28A
Module size (mm) 组件尺寸	1580×808×45MM					
Module Array (pcs) 电池片排列	6×12PCS					
Size of cells (mm) 电池片尺寸	125×125MM					
Weight (kgs) 重量	15.5KGS					
Tolerance 功率误差	±3%					
Operating Temp. Scope (°C) 工作温度	-40/+85°C					
Max. system voltage 最大系统电压	1000V DC					

Module Dimension & Diagram 组件尺寸及线路图



IV curve IV 曲线

