

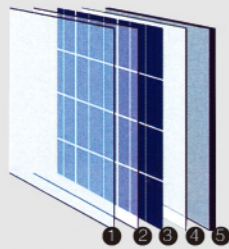


# RDM SOLAR PHOTOVOLTAIC

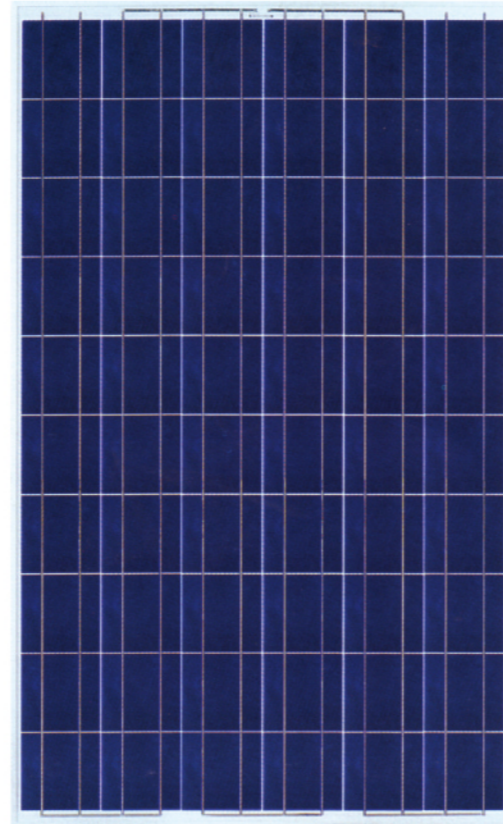
## Mono Solar Module 240 Series

高效电池组件  
High Efficiency Solar Module

### Temperature Coefficient 温度系数



- 1 Tempered Glass
- 2 EVA
- 3 Cells
- 4 EVA
- 5 Triple-layer Back Sheet



NOCT (Nominal Operating Cell Temperature)  
标称操作电池温度

47±2°C

Current temperature coefficient (ISC)  
ISC温度系数

+0.09%/°C

Voltage temperature coefficient (Voc)  
voc温度系数

-0.34%/°C

Power temperature coefficient (Pmp)  
Pmax温度系数

-0.37%/°C

### Characteristics 特征

High efficiency solar cells ensures high performance of solar module and create more power in peak hours.  
高效率的电池片确保了太阳能电池板的高效性以及光照高峰时段创造出更多的电量。

3.2mm high transmissive low iron tempered glass. EVA laminate with glass yields long life modules while enhancing cell performance.  
3.2毫米高透明低铁钢化玻璃。EVA和玻璃层压确保了组件的长寿命，同时也提高了电池性能。

3.2mm high transmissive low iron tempered glass. EVA and glass layering ensures the long life of the module, and also improves the battery performance.

Bypass diodes to avoid hot-spot effect.  
使用旁路二极管以避免热点效应。

Pre-cables with fast-connecting systems for convenient installation.  
简易连接器方便系统安装。

Stable, heavy-duty anodized aluminum frames with convenient mounting access, for high wind pressure and snow load.  
带有安装槽的铝边框，经持久阳极化处理保证组件在高风压和高强度降雪的压力下正常工作。

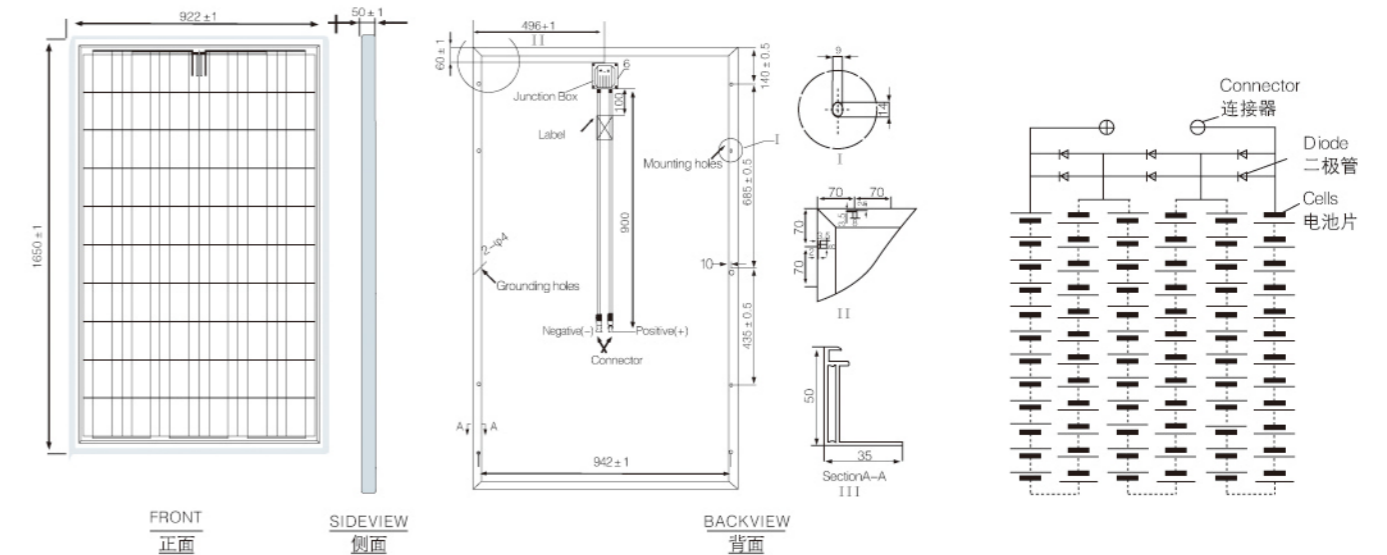
The backside of frames is equipped with drainage holes in order to eliminate the risk that rain or snow water may accumulate in the frame through and freeze or even bend the frame in cold season.  
支架背面配备排水孔，消除雨雪堆积冰冻和在寒冷季节压弯支架的危险。

25 years limited power warranty.  
25年保质期。

### Specified Data 组件参数

Model 型号	RDMSM-240P72	RDMSM-245P	RDMSM-250P	RDMSM-255P	RDMSM-260P	RDMSM-265P	RDMSM-270P	RDMSM-275P	RDMSM-280
Power rating 最大输出功率	[Wp] 240W	245W	250W	255W	260W	265W	270W	275W	280W
Open Circuit Voltage 开路电压	[Vod] 41.4V	41.4V	42.0V	42.0V	42.6V	42.6V	43.2V	43.2V	43.2V
Open Circuit Current 短路电流	[Isc] 8.01A	8.06A	8.11A	8.16A	8.21A	8.26A	8.31A	8.36A	8.41A
Maximum Power Voltage 峰值电压	[Vmp] 35.5V	35.0V	35.5V	35.5V	35.5V	36.0V	36.0V	36.0V	36.0V
Maximum Power Current 峰值电流	[Imp] 6.86A	7.0A	7.04A	7.18A	7.33A	7.36A	7.5A	7.64A	7.78A
Module size (mm) 组件尺寸	1957 × 992 × 50MM								
Module Array (pcs) 电池片排列	6 × 12PCS								
Size of cells (mm) 电池片尺寸	156 × 156MM								
Weight (kgs) 重量	22.5KGS								
Tolerance 功率误差	±3%								
Operating Temp. Scope (°C) 工作温度	-40/+85°C								
Max. system voltage 最大系统电压	1000V DC								

### Module Dimension & Diagram 组件尺寸及线路图



### IV curve IV 曲线

