

Typical Electrical Characteristics at Standard Test Conditions (STC)

Type	Unit	TW250B60-PA	TW255B60-PA	TW260B60-PA	TW265B60-PA	TW270B60-PA	TW275B60-PA
Mpp	P _m (W)	250	255	260	265	270	275
Power Tolerance	W	0 ~ +5	0 ~ +5	0 ~ +5	0 ~ +5	0 ~ +5	0 ~ +5
Max-Power Voltage	V _m (V)	30.4	30.6	30.8	31.0	31.1	31.2
Max-Power Current	I _m (A)	8.26	8.37	8.47	8.58	8.69	8.82
Open-Circuit Voltage	V _{oc} (V)	37.3	37.5	37.7	37.8	38.0	38.2
Short-Circuit Current	I _{sc} (A)	8.91	9.00	9.08	9.17	9.25	9.33
Module Efficiency	η _m (%)	15.74	16.06	16.37	16.69	17.01	17.3
Test Condition	STC:AM=1.5, 1000 W/m ² , Cells Temperature 25°C						
Operating temperature range	-40°C ~ +85°C						

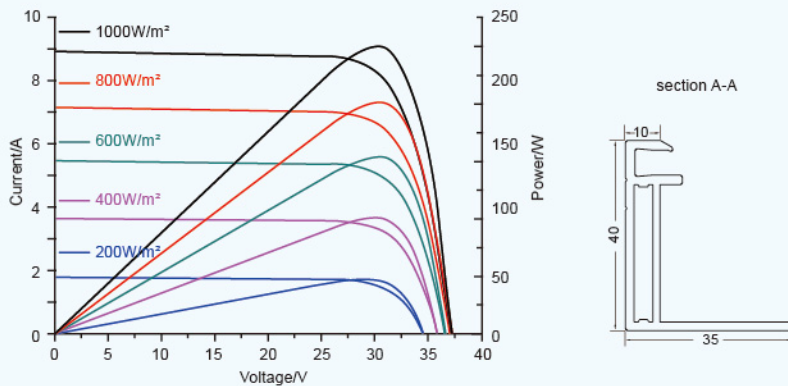
Mechanical Characteristics

Dimension (L×W×H)	1620 mm x 980 mm x 40 mm
Installation Hole Dimension	840 mm x 930 mm
Weight	18 kg
Front cover (material/type/thickness)	Low iron tempered glass 3.2 mm
Cell (quantity/material type/dimensions)	60 (10x6)/Polycrystalline /156×156 (mm)
Encapsulant (material)	EVA
Frame (material/color)	Anodized aluminum alloy/silver
Junction box (protection degree)	IP65/IP67
Cable (length/cross-section area)	900 mm/4 mm ²

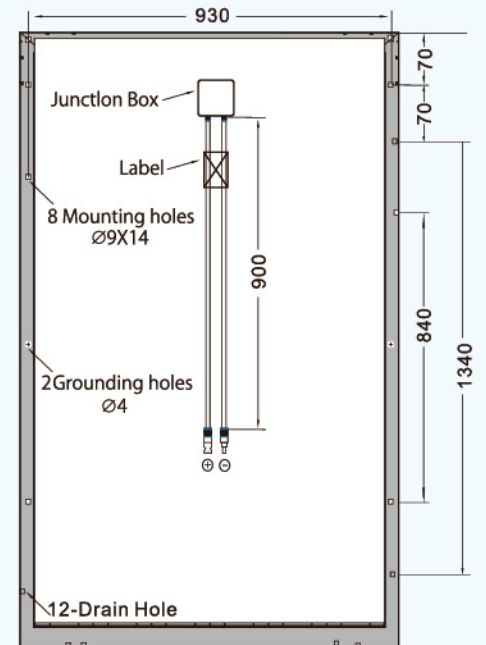
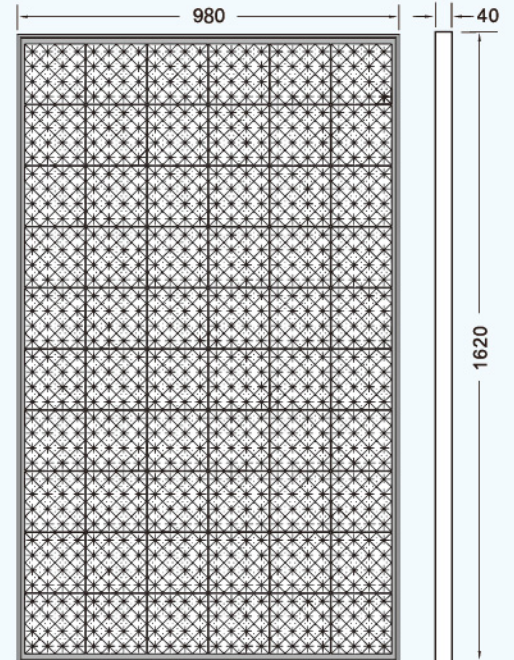
Packaging

Container	20Ft (pcs)	40Ft (pcs)	40Hft (pcs)
Modules/pallet	23	23	26
Loading Capacity	276	644	728

TW250B60-PA Module IV Curves



Dimensions



Tianwei New Energy Holdings Co.,Ltd.

Add: No.1 Tianwei Road, Chengdu, China, 610200

Tel: 028-67050045, 028-67050037, 028-67050039

Fax: 028-67050038

E-mail: sales@twnesolar.com

www.twnesolar.com