

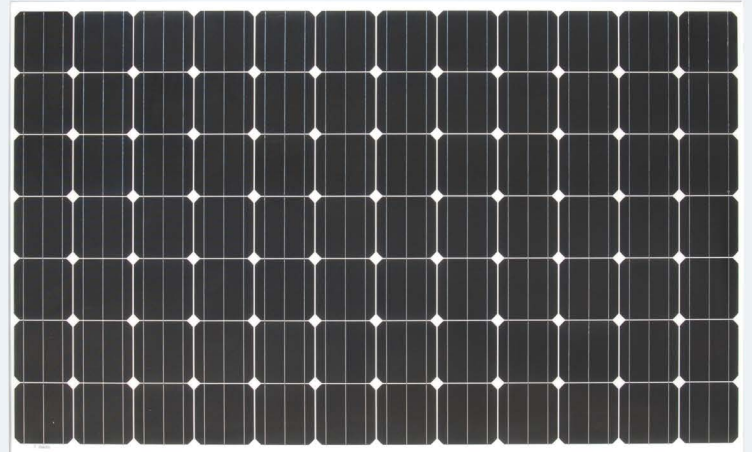


PERLIGHT

Powering Possibilities

PLM-350M-84 SERIES

Monocrystalline Silicon Solar Module



PERLIGHT SOLAR

Founded in 2006, Perlight is a Global Solar Energy provider with a presence in more than 35 countries around the world. More than 1.5GW of Perlight modules have been used in residential, commercial and off-grid systems around the world.

Perlight's success has been built on proven product performance and reliability, state of the art technology and long term partnerships with key customers.

18.0% -18.6%

CELL EFFICIENCY

12 YEARS

PRODUCT WARRANTY

0 -3%

POWER TOLERANCE

POWER WARRANTY

25 YEAR 80% Power Output Warranty

12 YEAR 90% Power Output Warranty

12 YEAR Material & Workmanship Warranty



Performance

High output and efficiency even under low light conditions



Versatility

Salt mist corrosion tested, perfect for harsh climatic conditions



Reliability

Durable and reliable solar panels due to stringent quality control measures, testing and strict selection of raw materials and components. PID free (TUV certified)



Design and Innovation

Perlight is committed to innovation and constantly working to provide the next breakthrough in solar technology: the new All Black panel is an example of this commitment.

MONOCRYSTALLINE, 84-CELL SERIES

ELECTRICAL PERFORMANCE

| Module type | PLM-350M-84 | | | | |
|-------------------------|------------------|---|-------|-------|-------|
| Power output | P_{max} | W | 340 | 345 | 350 |
| Power output tolerances | ΔP_{max} | % | 0 - 3 | | |
| Voltage at Pmax | V_{mpp} | V | 43.32 | 43.41 | 43.54 |
| Current at Pmax | I_{mpp} | A | 7.85 | 7.95 | 8.04 |
| Open-circuit voltage | V_{oc} | V | 51.62 | 51.79 | 51.94 |
| Short-circuit current | I_{sc} | A | 8.54 | 8.61 | 8.97 |

STC: 1000W/m² irradiance, 25°C cell temperature, AM 1.5g spectrum according to EN 60904-3.

THERMAL CHARACTERISTICS

| | | | |
|------------------------------------|------------|------|--------|
| Nominal operating cell temperature | NOCT | °C | 45±2 |
| Temperature coefficient of Pmax | μ | %/°C | -0.459 |
| Temperature coefficient of Voc | B_{voc} | %/°C | -0.31 |
| Temperature coefficient of Isc | B_{isc} | %/°C | 0.03 |
| Temperature coefficient of Vmpp | B_{vmpp} | %/°C | -0.40 |

OPERATING CONDITIONS

| | |
|---|---------------------|
| Max. system voltage | 1000V _{dc} |
| Limiting reverse current | 15A |
| Operating temperature range | -40°C to 85°C |
| Max. static load front (e.g., snow) | 5400Pa |
| Max. static load back (e.g., wind) | 2400Pa |
| Max. hailstone impact (diameter / velocity) | 25mm / 23m/s |

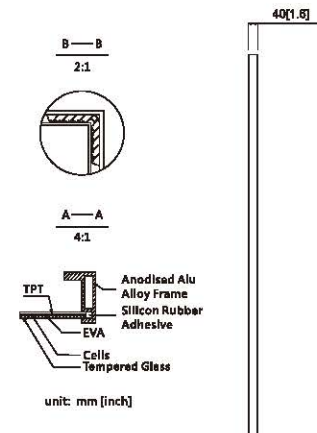
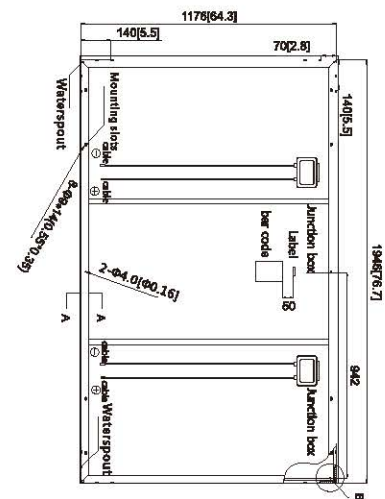
MECHANICAL CHARACTERISTICS

| | |
|---|--|
| Front cover (material / thickness) | low-iron tempered glass / 3.2mm |
| Backsheet (color) | white |
| Cell (quantity / material / dimensions) | 84 / monocrystalline silicon / 156 x 156mm |
| Frame (material / color) | anodized aluminum alloy / silver |
| Junction box (protection degree) | > IP65 |
| Cables & Plug connectors | 900mm / 4mm ² & MC4 compatible / IP67 |
| Module Dimensions (L / W / H) | 1946mm x 1176mm x 40mm |
| Module Weight | 25.3kg |

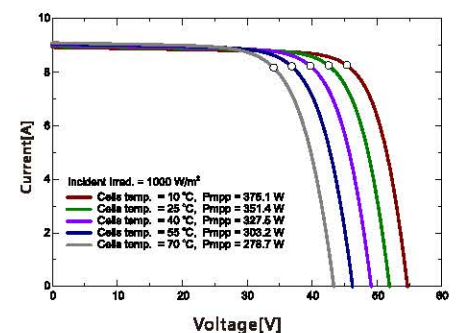
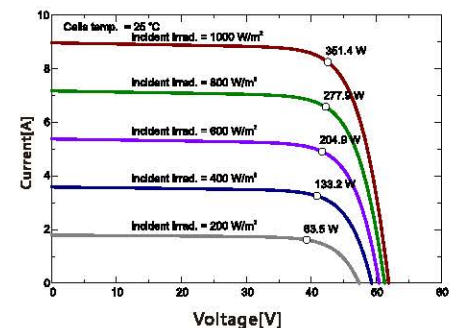
PACKING DETAILS

| | |
|-----------------------|-------|
| Container | 40'HQ |
| Pieces per pallet | 30 |
| Pallets per container | 9 |
| Pieces per container | 270 |

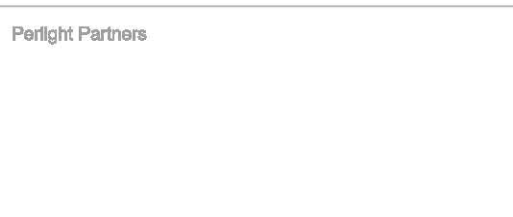
Module Diagram:



Electrical Curves:



PERLIGHT
Powering Possibilities



QUALIFICATIONS & CERTIFICATIONS

IEC 61215, IEC 61730, CE, IEC 62804 (PID Free), UL 1703, J-PEC, PV CYCLE, IEC/EN 61701, IEC 62716

