

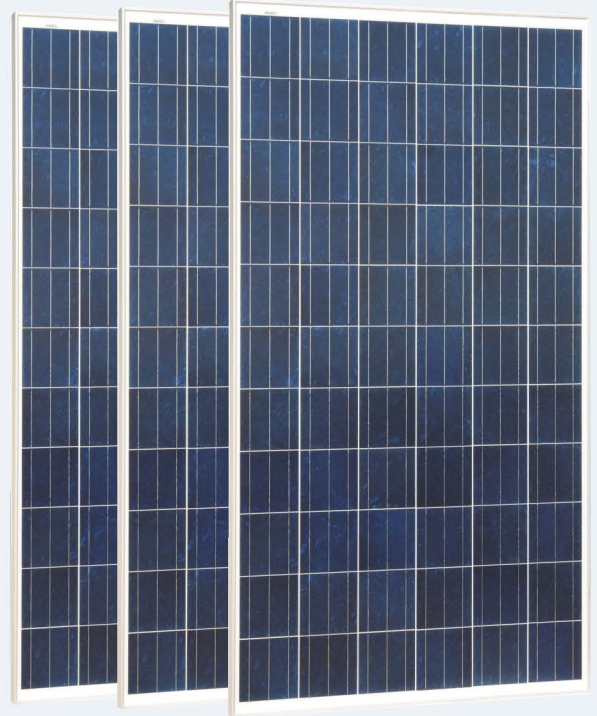


**PERLIGHT**

*Powering Possibilities*

## PLM-285P-66 SERIES

Polycrystalline Silicon Solar Module



## PERLIGHT SOLAR

Founded in 2006, Perlight is a Global Solar Energy provider with a presence in more than 35 countries around the world. More than 1.5GW of Perlight modules have been used in residential, commercial and off-grid systems around the world.

Perlight's success has been built on proven product performance and reliability, state of the art technology and long term partnerships with key customers.

**17.0% -18.0%**

CELL EFFICIENCY

**12 YEARS**

PRODUCT WARRANTY

**0 -3%**

POWER TOLERANCE

### POWER WARRANTY

**25 YEAR** 80% Power Output Warranty

**12 YEAR** 90% Power Output Warranty

**12 YEAR** Material & Workmanship Warranty



### Performance

High output and efficiency even under low light conditions



### Versatility

Salt mist corrosion tested, perfect for harsh climatic conditions



### Reliability

Durable and reliable solar panels due to stringent quality control measures, testing and strict selection of raw materials and components. PID free (TUV certified)



### Design and Innovation

Perlight is committed to innovation and constantly working to provide the next breakthrough in solar technology: the new All Black panel is an example of this commitment.

# POLYCRYSTALLINE, 66-CELL SERIES

## ELECTRICAL PERFORMANCE

Module type	PLM-285P-66					
Power output	$P_{max}$	W	270	275	280	285
Power output tolerances	$\Delta P_{max}$	%	0 - 3			
Voltage at Pmax	$V_{mpp}$	V	34.50	34.90	35.15	35.29
Current at Pmax	$I_{mpp}$	A	7.83	7.88	7.97	8.08
Open-circuit voltage	$V_{oc}$	V	41.16	41.34	41.50	41.71
Short-circuit current	$I_{sc}$	A	8.48	8.51	8.53	8.67

STC: 1000W/m<sup>2</sup> irradiance, 25°C cell temperature, AM 1.5g spectrum according to EN 60904-3.

## THERMAL CHARACTERISTICS

Nominal operating cell temperature	NOCT	°C	45±2
Temperature coefficient of Pmax	$\mu$	%/°C	-0.459
Temperature coefficient of Voc	$B_{voc}$	%/°C	-0.31
Temperature coefficient of Isc	$\alpha_{isc}$	%/°C	0.03
Temperature coefficient of Vmpp	$B_{vmpp}$	%/°C	-0.40

## OPERATING CONDITIONS

Max. system voltage	1000V <sub>dc</sub>
Limiting reverse current	15A
Operating temperature range	-40°C to 85°C
Max. static load front (e.g., snow)	5400Pa
Max. static load back (e.g., wind)	2400Pa
Max. hailstone impact (diameter / velocity)	25mm / 23m/s

## MECHANICAL CHARACTERISTICS

Front cover (material / thickness)	low-iron tempered glass / 3.2mm
Backsheet (color)	white
Cell (quantity / material / dimensions)	66 / polycrystalline silicon / 156 x 156mm
Frame (material / color)	anodized aluminum alloy / silver
Junction box (protection degree)	> IP65
Cables & Plug connectors	900mm / 4mm <sup>2</sup> & MC4 compatible / IP67
Module Dimensions (L / W / H)	1808mm x 992mm x 40mm
Module Weight	20kg

## PACKING DETAILS

Container	20'GP	40'HQ
Pieces per pallet	52	56
Pallets per container	6	12
Pieces per container	312	672



**PERLIGHT**  
Powering Possibilities

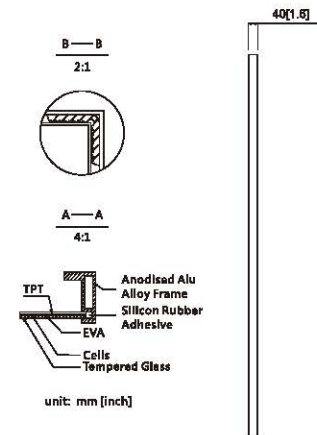
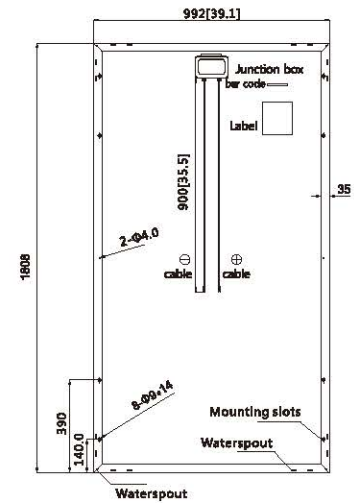
Perlight Partners

## QUALIFICATIONS & CERTIFICATIONS

IEC 61215, IEC 61730, CE, IEC 62804 (PID Free), UL 1703, J-PEC, PV CYCLE, IEC/EN 61701, IEC 62716



## Module Diagram:



## Electrical Curves:

