

HIGH PERFORMANCE MODULES

TM-SERIES 270 Wp

HIGH PERFORMANCE POLYCRYSTALLINE PANELS



16,60%

EFFICIENCY

25
years

**EUROPEAN
GUARANTEE**



**TOLERANCE
0/+3%**



**CERTIFIED
WIND/SNOW**



WEAK LIGHT



**THIRD PARTY
WARRANTY**

TM-P660270

TM-P660270

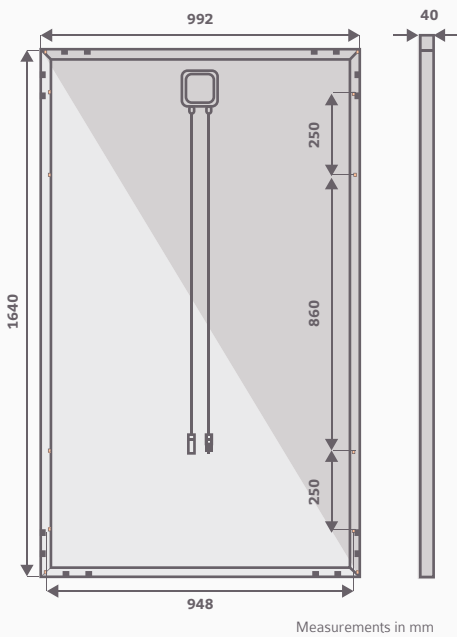
TM-SERIES POLYCRYSTALLINE



FEATURES

- ✓ High module conversion **efficiency** up to 16.60%, through superior manufacturing technology.
- ✓ **Guaranteed 0/+3%** power tolerance.
- ✓ **Robust and corrosion free modules.** Entire module certificate to withstand high wind loads (2400Pa).
- ✓ **Excellent performance** under low light environment.
- ✓ **International certificates** to ensure the best quality and performance.
- ✓ Manufacturing process certified under the **ISO 9001 standards.**
- ✓ **Enhanced design** for easy installation and long term reliability.

MODULE ENGINEERING DRAWING



WARRANTY

10+2
years product
warranty*

16.60%
efficiency

25
years power
warranty*

European Warranty.

See warranty conditions for further details.

1. +2 years product warranty extension.
2. Power output decrease yearly. Year 25 rated power output not below 80%.

ELECTRICAL DATA STC

TM P660270

Nominal Maximum Power (P _{max})	270 W
Optimum Operating Voltage (V _{mp})	31.27 V
Optimum Operating Current (I _{mp})	8.65 A
Open Circuit Voltage (V _{oc})	38.35 V
Short Circuit Current (I _{sc})	9.19 A
Module efficiency	16.60%
Power Tolerance	0/+3%
Max. system voltage	1000 V
Max. series fuse rating	15 A
Operating temperature range	-40°C to +85°C

Electric characteristics at standard conditions (STC)

STC conditions: Irradiance: 1.000W/m², cell temperature: 25°C, AM=1.5

ELECTRICAL DATA NOCT

TM P660270

Nominal Maximum Power (P _{max})	197 W
Optimum Operating Voltage (V _{mp})	28.57 V
Optimum Operating Current (I _{mp})	6.90 A
Open Circuit Voltage (V _{oc})	35.21 V
Short Circuit Current (I _{sc})	7.48 A

Electric characteristics at normal operation conditions (NOCT)

NOCT conditions: 800W/m², cell temperature: 20°C, AM=1.5, wind speed: 1m/s

MECHANICAL CHARACTERISTICS

Solar cells	Polycrystalline silicon 156 x 156 mm
Cell arrangement	60 cells in series
Dimensions	1640x992x40 mm
Weight	19 kg
Max static load, front (snow)	5400 Pa
Max static load, back (wind)	2400 Pa
Front cover	Low-iron tempered glass 3.2 mm
Frame	Anodized aluminum alloy
Encapsulant	EVA (ethylene vinyl acetate)
Junction box	IP65
Bypass diodes	3
Cables (length/ area)	1000 mm / 4 mm ² (IEC) 12AWG (UL)
Connectors	MC4

TEMPERATURE RATINGS

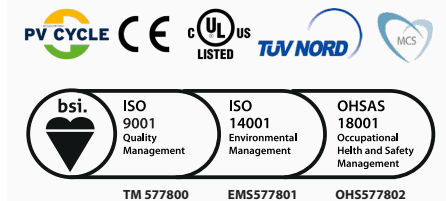
NOCT	45 ± 2°C
Temperature coefficient of (P _{max})	-0.47 %/°C
Temperature coefficient of (V _{oc})	-0.34 %/°C
Temperature coefficient of (I _{sc})	+0.04 5%/°C

PACKAGING

Modules per pallet	26
Nº pallets per HC container (40')	28

The max capacity per container are 812 modules

CERTIFICATIONS



Tamesol

ENERGÍA

PARA VIVIR

Tamesol is a photovoltaic modules manufacturer founded in 2005. Our headquarters are located in Girona (Spain), and our main production lines are in China, Malaysia and Turkey. Spain, Italy, Brazil, Romania, Germany, United Kingdom and United States are among the countries where Tamesol has participated as a supplier.

Tamesol's staff are highly qualified professionals with extensive experience in the photovoltaic technology area.

**More than 105.000 families
rely on us already.**

