

TIANMA Monocrystalline PV module

TM – M6 60 Cells 265–285W



TM – M6 60 Cells 265–285W

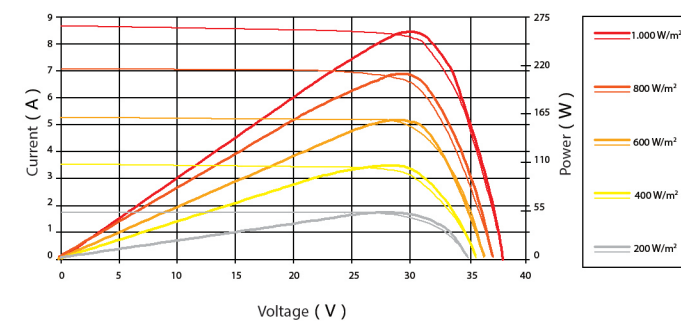


Made with selected materials and components to grant quality, duration, efficiency and thorough outputs, the 60-celled monocrystalline modules by TIANMA SOLAR (power output 265-285 Wp) represent a highly flexible solution for diverse installation type, from industrial rooftop plants to small home PV-systems or large ground surfaces. This allows you to produce clean energy whilst reducing your energy bill. TIANMA SOLAR's 60-celled monocrystalline solar modules are tested and approved by internationally acknowledged laboratories, so that we can offer our customers a reliable and price-quality optimized product.

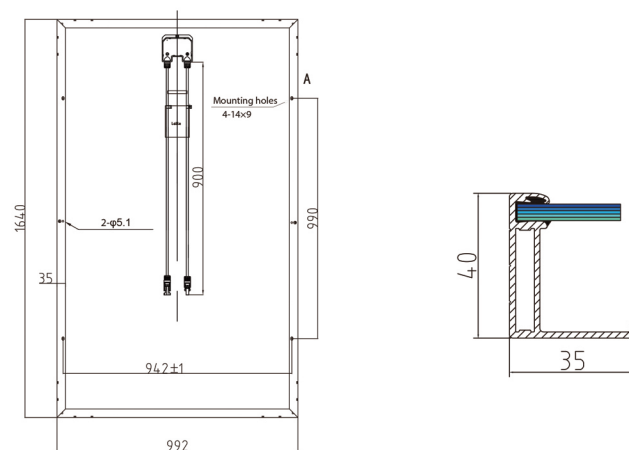
- * High module efficiency up to 17.52%
- * Insured output warranty of 25 years
- * Free from PID
- * Certified to withstand extreme static loads of 5400 Pa
- * Certified to withstand Maximum wind pressure reached 2400Pa



Dimensions of the PV module



I-V Curves of the PV module



Technical parameter	TM-M6-60-265	TM-M6-60-270	TM-M6-60-275	TM-M6-60-280	TM-M6-60-285
Electrical properties					
Peak Power Watts-PMAX (Wp)	265	270	275	280	285
Power Output Tolerance-PMAX (%)	0→+3	0→+3	0→+3	0→+3	0→+3
Maximum Power Voltage-VMPP (V)	30.84	30.97	31.07	31.17	31.27
Maximum Power Current-IMPP (A)	8.59	8.72	8.85	8.96	9.11
Open Circuit Voltage-VOC (V)	38.50	38.60	38.70	38.80	38.90
Short Circuit Current-ISC (A)	9.07	9.17	9.29	9.41	9.53
Module Efficiency η_m (%)	16.29	16.60	16.90	17.21	17.52
Mechanical data					
Solar cells	Mono 156×156 mm				
Cells orientation	60 (6x10)				
Module dimension	1640×990×40 mm				
Weight	19.5kg				
Glass	High transparency, low iron, tempered glass 3.2mm				
Frame	Anodized aluminum alloy				
Junction box	≥ IP65				
Cables/connectors	4mm ² 900mm MC4-compatible				
Number of diodes	3				
Temperature ratings					
Nominal Operating Cell Temperature (NOCT)	45°C (±2°C)				
Temperature Coefficient of PMAX	-0.42%/K				
Temperature Coefficient of VOC	-0.29%/K				
Temperature Coefficient of ISC	0.04%/K				
Working conditions					
Maximum System Voltage	1000VDC (IEC)				
Operational Temperature	-40→+85°C				
Max Series Fuse Rating	15A				
Maximum load (snow/wind)	5400Pa/2400Pa				
Warranty information					
10 years workmanship warranty					
10 years power quality assurance	10 years at 90% power output				
25 years power quality assurance	25 years warranty at 80% power output				
Packaging information					
Modules per box	26 pcs. (40 mm)				
Modules per 40' HQ container	784 pcs. (40 mm)				
Measurement Tolerance STC: ±3%(Pmax), ±10%(Vmax, IMPP, VOC, ISC), Values at Standard Test Conditions STC (Air Mass AM1.5, Irradiance 1000W/m ² , Cell Temperature 25°C) Remark: please read safety and installation instructions, Copyright July 2015 TIANMA PV all. Without permission, the specifications in the data sheet can not be changed. © TIANMA SOLAR 2015 Number: TM-M6-60-1507.C					

Changzhou Tianma Photovoltaic Electronic Co., Ltd
Tel: 400-928-0199
Web: www.tianmapv.com
Add: No. 69 Yangang Middle Road, Jintan, Changzhou, Jiangsu P.R.C 213200

