



# 意派太阳能

## Monocrystalline Solar Module 305W to 345W 156EP325A-72 单晶组件



### High Module Conversion Efficiency/组件转换效率高

Up to 17.77% conversion efficiency to ensure high quality /高达 17.77%转换效率



### Excellent Weak Light Performance/低辐照度下性能极佳

Excellent performance under low light environments (Mornings, evenings, and cloudy days)

低辐照度下性能极佳，如清晨、晚间、阴天等



### Withstand High Wind Pressure/对抗高风压

### Snow Loads and Extreme Temperature/雪载和极限温度

Entire module certified to withstand high wind loads 2400Pascal, snow loads 5400Pascal and extreme temperature

组件能承受风压 2400 帕斯卡，雪载 5400 帕斯卡



## Why Choose EP Solar Modules?/为何选择意派太阳能组件

- Unrivaled manufacturing capacity and International standard quality/高产能，国际标准质量
- Strict quality control to make the world-class technology/严格的质检以保证世界级品质
- All products with TUV authentication/所有产品通过 TUV 认证
- Factory pass GMC (Glob Manufacturer Certificate) audit and ISO 9001:2008 工厂通过 GMC 认证和 ISO 9001:2008 质量管理体系认证



## Limited Warranty/

## 质量保证

- 5years material and workmanship warranty 原材料 5 年质保
- 25years limited warranty on power output 保证最低 25 年功率输出
- 90% power output assurance 10r 10years 10 年保证 90%功率输出
- 80% power output assurance 10r 20years 20 年保证 80%功率输出

## Applications/应用

- Any large or small on-grid and of1-grid solar power station 大中型并网、离网太阳能发电站
- Commercial, industrial or residencies roof-top system 商业、工业或住宅屋顶系统
- Any commercial or industrial ground mounted system 商业或工业地面安装系统
- Other commercial and industrial applications 其他商业或工业应用

### Mechanical Characteristics/机械特性

Solar Cell/电池片	Monocrystalline156*156mm(6inches)
No.of Cells/电池片	72 (6*12)
Diamension/尺寸	1957*992*40mm (77.0*39.1*1.6inches)
Weight/净重	22.0kgs (48.5lbs.)
Front Glass/前板	3.2mm(0.13inches)low iron tempered glass
Frame/边框	Anodized aluminum alloy
Junction Box/接线盒	IP67 rated
Output Cables/线缆	TUV certified, 4.0mm <sup>2</sup> , 900mm length
Connectors/连接器	Compatible connector

### Temperature Characteristics/温度特性

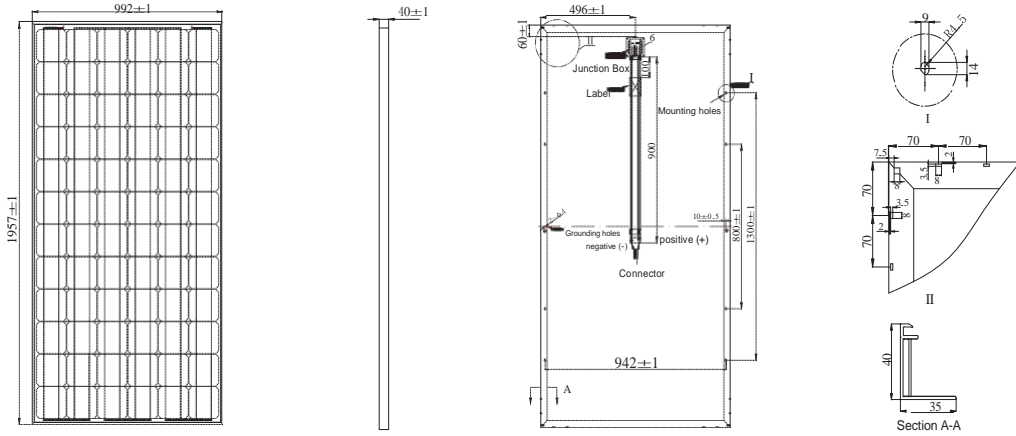
Nominal Operating Cell Temperature (NOCT) /额定电池工作温度	45±2°C
Temperature Coefficient of Pmax/最大功率温度系数	-0.47%/°C
Temperature Coefficient of Voc/开路电压温度系数	-0.34%/°C
Temperature Coefficient of Isc/短路电流温度系数	0.06%/°C

### Absolute Ratings/绝对条件

Dielectric Insulation Voltage	3000V
Storage Temperature/储存温度	-40°Cto+85°C
Mechanical Load/机械载荷	5400Pa

## Sunshine Technology Wisdom Energy/阳光科技智慧能源 Offer effective, stable, safe and profitable alternative solar energy solutions for all!

为顾客提供高效、稳定、安全、最优异投资回报的太阳能替代能源解决方案



### Electrical Characteristics/电气特征

#### STC (Standard Test Conditions)/标准测试条件

Type/类型	EP345A-72	EP340A-72	EP335A-72	EP330A-72	EP325A-72	EP320A-72	EP315A-72	EP310A-72	EP305A-72
Maximum Power at STC (Pmax)/最大功率	345W	340W	335W	330W	325W	320W	315W	310W	305W
Optimum Operating Voltage (Vmp)/最佳工作电压	37.35V	37.26V	37.21V	37.11V	36.99V	36.97V	36.98V	36.79V	36.27V
Optimum Operating Current (Imp)/最佳工作电流	9.237A	9.125A	9.003A	8.892A	8.786A	8.655A	8.517A	8.425A	8.41A
Open Circuit Voltage (Voc)/开路电压	45.74V	45.66V	44.6V	44.56V	44.51V	44.42V	44.38V	44.28V	44.3V
Short Circuit Current (Isc)/短路电流	9.699A	9.581A	9.453A	9.337A	9.225A	9.265A	9.198A	9.183A	9.15A
Maximum System Voltage/最大系统电压	IEC:1000V DC / UL:600V DC								
Maximum Series Fuse Rating/过流保护	15A								
Cell Efficiency/电池片转换效率	20.26%	19.97%	19.68%	19.38%	19.09%	18.79%	18.50%	18.21%	17.91%
Module Efficiency/组件转换效率	17.77%	17.51%	17.26%	17.00%	16.74%	16.48%	16.23%	15.97%	15.71%
Operating Module Temperature/组件工作温度	-40°C to + 85°C								

STC: Irradiance 1000W/m<sup>2</sup>, Module Temperature 25°C, AM1.5

标准测试条件: 辐照 1000W/m<sup>2</sup>, 组件温度 25°C, 大气质量 AM1.5

#### NOCT (Nominal Operating Cell Temperature)/额定电池工作温度

Type/类型	EP345A-72	EP340A-72	EP335A-72	EP330A-72	EP325A-72	EP320A-72	EP315A-72	EP310A-72	EP305A-72
Maximum Power (Pmax)/最大功率	255W	252W	248W	244W	240W	237W	233W	229W	226W
Maximum Power Voltage (Vmp)/最大功率电压	34.3V	34.2V	34.1V	34V	33.9V	33.9V	33.9V	33.8V	33.3V
Maximum Power Current (Imp)/最大功率电流	7.45A	7.36A	7.26A	7.17A	7.09A	6.98A	6.87A	6.79A	6.78A
Open Circuit Voltage (Voc)/开路电压	42.6V	42.6V	41.6V	41.5V	41.5V	41.4V	41.4V	41.3V	41.3V
Short Circuit Current (Isc)/短路电流	7.85A	7.76A	7.65A	7.56A	7.47A	7.5A	7.45A	7.43A	7.41A

NOCT: Irradiance 800W/m<sup>2</sup>, ambient temperature 20°C, wind speed 1m/s

额定电池工作温度: 辐照 800W/m<sup>2</sup>, 环境温度 20°C, 风速 1m/s

