



### High Module Conversion Efficiency/组件转换效率高

Up to 16.23% conversion efficiency to ensure high quality /高达 16.23%转换效率



### Excellent Weak Light Performance/低辐照度下性能极佳

Excellent performance under low light environments (Mornings, evenings, and cloudy days)  
低辐照度下性能极佳，如清晨、晚间、阴天等



### Withstand High Wind Pressure/对抗高压 Snow Loads and Extreme Temperature/雪载和极限温度

Entire module certified to withstand high wind loads 2400Pascal, snow loads 5400Pascal and extreme temperature  
组件能承受风压 2400 帕斯卡，雪载 5400 帕斯卡

## Why Choose EP Solar Modules? / 为何选择意派太阳能组件

- Unrivaled manufacturing capacity and International standard quality/高产能，国际标准质量
- Strict quality control to make the world-class technology/严格的质检以保证世界级品质
- All products with TUV authentication/所有产品通过 TUV 认证
- Factory pass GMC (Glob Manufacturer Certificate) audit and ISO 9001:2008
- 工厂通过 GMC 认证和 ISO 9001:2008 质量管理体系认证



## Limited Warranty/质量保证

- 5years material and workmanship warranty  
原材料 5 年质保
- 25years limited warranty on power output  
保证最低 25 年功率输出
- 90% power output assurance 10r 10years  
10 年保证 90%功率输出
- 80% power output assurance 10r 20years  
20 年保证 80%功率输出

## Applications/应用

- Any large or small on-grid and of1-grid solar power station  
大中型并网、离网太阳能发电站
- Commercial, industrial or residencies roof-top system  
商业、工业或住宅屋顶系统
- Any commercial or industrial ground mounted system  
商业或工业地面安装系统
- Other commercial and industrial applications  
其他商业或工业应用

### Mechanical Characteristics/机械特性

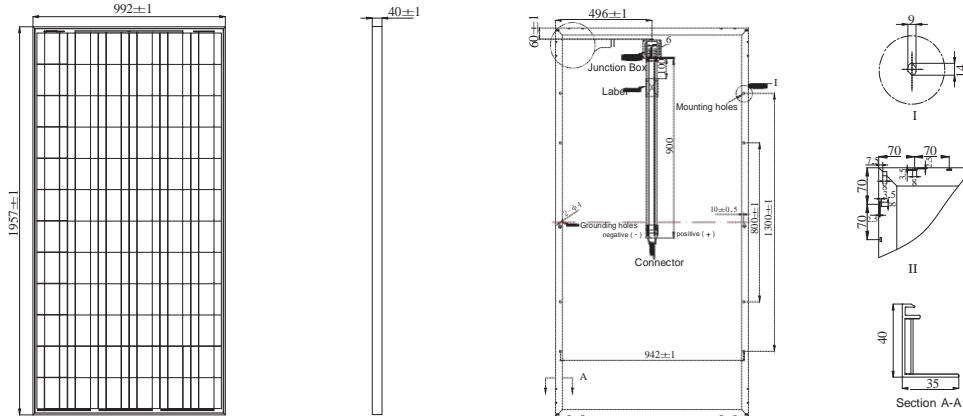
Solar Cell/电池片	Polycrystalline156*156mm(6inches)
No.of Cells/电池片	72 (6*12)
Diamention/尺寸	1957*992*40mm (77.0*39.1*1.6inches)
Weight/净重	22.0kgs (48.5lbs.)
Front Glass/前板	3.2mm(0.13inches)low iron tempered glass
Frame/边框	Anodized aluminum alloy
Junction Box/接线盒	IP67 rated
Output Cables/线缆	TUV certified, 4.0mm <sup>2</sup> , 900mm length
Connectors/连接器	Compatible connector

### Temperature Characteristics/温度特性

Nominal Operating Cell Temperature (NOCT) /额定电池工作温度	45±2°C
Temperature Coefficient of Pmax/最大功率温度系数	-0.47%/°C
Temperature Coefficient of Voc/开路电压温度系数	-0.34%/°C
Temperature Coefficient of Isc/短路电流温度系数	0.06%/°C
<b>Absolute Ratings/绝对条件</b>	
Dielectric Insulation Voltage	3000V
Storage Temperature/储存温度	-40°C to +85°C
Mechanical Load/机械载荷	5400Pa

sunshine Technology Wisdom Energy/阳光科技智慧能源  
Offer effective, stable, safe and profitable alternative solar energy solutions for all!

为顾客提供高效、稳定、安全、最优异投资回报的太阳能替代能源解决方案



### Electrical Characteristics/电气特征

#### STC (Standard Test Conditions)/标准测试条件

Type/类型	EP315C-72	EP310C-72	EP305C-72	EP300C-72	EP295C-72
Maximum Power at STC (Pmax)/最大功率	315W	310W	305W	300W	295W
Optimum Operating Voltage (Vmp)/最佳工作电压	37.1V	37V	36.6V	36.2V	36V
Optimum Operating Current (Imp)/最佳工作电流	8.51A	8.38A	8.33A	8.27A	8.19A
Open Circuit Voltage (Voc)/开路电压	45.6V	45.5V	45.5V	45.4V	45.3V
Short Circuit Current (Isc)/短路电流	9A	8.85A	8.81A	8.73A	8.65A
Maximum System Voltage/最大系统电压	IEC:1000V DC / UL:600V DC				
Maximum Series Fuse Rating/过流保护	15A				
Cell Efficiency/电池片转换效率	17.98%	17.69%	17.41%	17.12%	16.84%
Module Efficiency/组件转换效率	16.23%	15.97%	15.71%	15.45%	15.20%
Operating Module Temperature/组件工作温度	-40°C to +85°C				

STC: Irradiance 1000W/m<sup>2</sup>, Module Temperature 25°C, AM1.5

标准测试条件: 辐照 1000W/m<sup>2</sup>, 组件温度 25°C, 大气质量 AM1.5

#### NOCT (Nominal Operating Cell Temperature)/额定电池工作温度

Type/类型	EP315C-72	EP310C-72	EP305C-72	EP300C-72	EP295C-72
Maximum Power (Pmax)/最大功率	234W	229W	226W	221W	218W
Maximum Power Voltage (Vmp)/最大功率电压	34V	33.9V	33.6V	33.2V	33V
Maximum Power Current (Imp)/最大功率电流	6.86A	6.76A	6.72A	6.67A	6.6A
Open Circuit Voltage (Voc)/开路电压	42.5V	42.4V	42.4V	42.3V	42.2V
Short Circuit Current (Isc)/短路电流	7.29A	7.16A	7.13A	7.07A	7A

NOCT: Irradiance 800W/m<sup>2</sup>, ambient temperature 20°C, wind speed 1m/s

额定电池工作温度: 辐照 800W/m<sup>2</sup>, 环境温度 20°C, 风速 1m/s

