



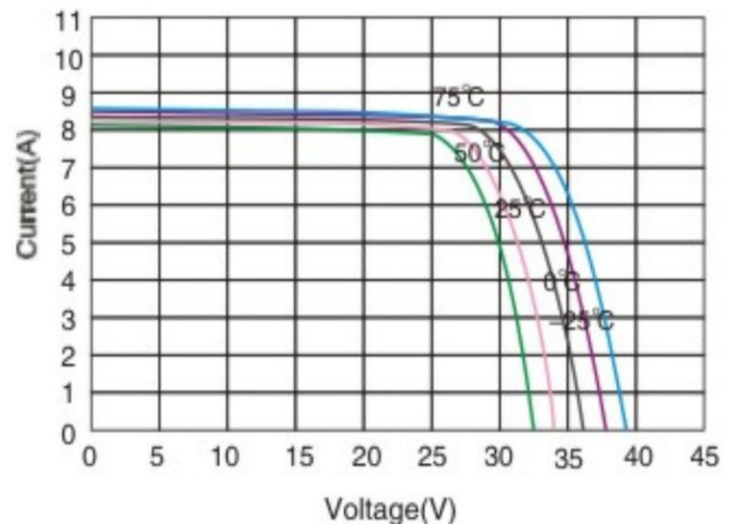
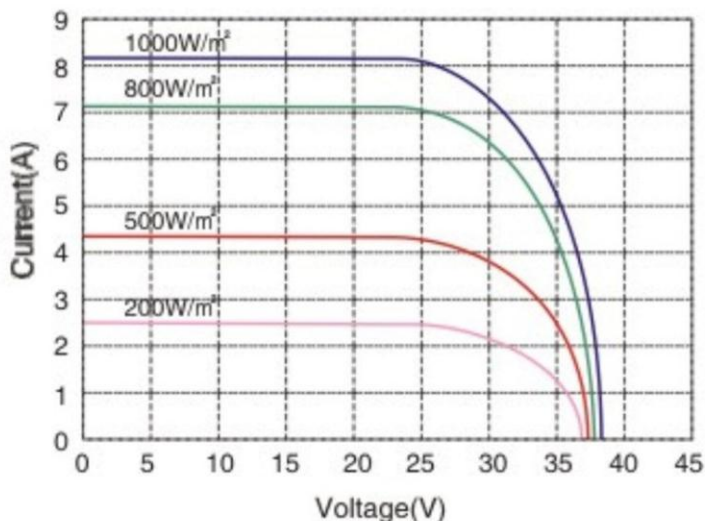
PTP

Energy Solutions

PT-SP250P-6-60

FEATURES

- High module efficiency and stable power output based on leading process technology.
- Outstanding electrical performance under high temperature conditions or low irradiance conditions.
- Ease of installation and all weather applications due to the innovative engineering design.
- After assembled by anodized aluminum alloy frame and junction box with MC connectors, the PTP solar modules are designed for long service life, easy to install, with stand the storm, high wind and hail impact etc.

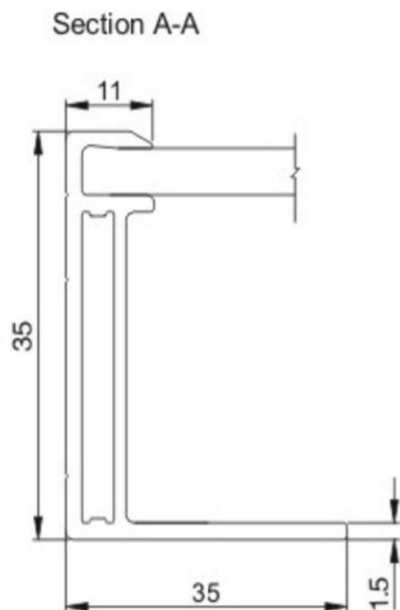


Specifications

Cell	156mmx156mm
No.of cells and connections	60 (6 x 10)
Dimension of module	1640mm x 992mm x 35mm
TEMPERATURE COEFFICIENTS	
Nominal Operating Cell Temperature	46 °C +2°C
Short-circuit current temperature coefficient	(Isc) 0.08%/C
Open-circuit current temperature coefficient	(Voc) -0.32%/C
Peak power temperature coefficient	(Pamx) -0.38%/C
OUTPUT	
Cable	4.0mm (TUV)
Lengths	900mm
Connector	MC Type
ELECTRICAL CHARACTERISTICS	
Encapsulation	Glass/EVA/Cells/EVA/TPT
Size and Number of cells	156mm x156mm 60/6 x 10pcs
Maximum Power (Pmax)	250W
Power Tolerance	0W~ +5W
Open Circuit Voltage (Voc)	37.4V
Short Circuit Voltage (Isc)	8.63A
Maximum Power Voltage (Vmp)	30.7V
Maximum Power Circuit (Imp)	8.15A
Max.syst. Oper. Voltage	1000V
Diodes	6by-pass
Dimension	1640 x 992 x 35mm
Weight	18.5kg
Operate Temp. Scope	-40/+85C
Relative humidity	0 to 100%
Resistances	227g steel ball fall down from 1m height and 60m/s wind
Warranty	Pm is not less than 90% in 10 years and 80% in 25 years

Test condition:
@STC 1000W/m , AM1.5, 25°C

Product Standards:
Module certified to CE,IEC61215,
IEC61730-1,IEC61730-2.



Note:mm

