

300 ~ 315 Watt

Continuously manufacturing PV modules since 1991, Energy America is one of the most experienced module makers in the industry. More than 20 years of operating data support Energy America's reputation as the best overall quality, performance, and value for solar investors. The cutting-edge SN-series leads the industry again in advanced design, construction, and performance. The SN-series is the ideal module for any system size in any given environment. With the quality to last the lifetime of the PV system, Energy America's EA-series provides the confidence and assurance to each and every one of our customers.



Features



ENHANCED EXTERNAL LOAD / IMPACT

Snow Load : 5,400 Pa
Wind Load : 2,400 Pa

Hail Impact : 30.7 m/s (speed ball)



ENVIRONMENT RESISTANCE

Suitable for extreme conditions
Resistant to high salt mist and ammonia
(certified by TÜV Rheinland)



POWER ADVANTAGE

25-year, linear power warranty
> 97.5% nominal power during 1st year
Positive tolerance up to +5W



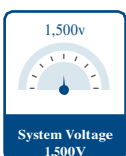
PID RESISTANCE

Enhanced potential induced degradation



FIRE SAFETY

UL1703 Fire Classification : Type 1, Type 2



FIRST UL-CERTIFIED 1,500V MODULE

Optimized BOS cost allows a reduced system cost

Qualifications & Certifications

IEC 61215 & 61730, UL1703
ISO 9001, ISO 14001, OHSAS 18001



Mechanical Characteristics

| | |
|-----------------|---|
| Solar Cells | Polycrystalline 156mm x 156mm (6 inches) |
| Number of Cells | 72 Cells, 6 x 12 matrix |
| Dimensions | 1970 x 990 x 40 mm / 1985 x 999 x 40 mm |
| Weight | 20 kg (44.09 lbs) / 20.5kg (45.19 lbs) |
| Front Glass | High-Transmittance Low Iron Tempered Glass |
| Frame | Anodized Aluminum Frame |
| Output Cables | PV Wire (PV1-F), 12AWG (4mm ²), Cable Length : 1200mm |
| Connectors | MC4 Connectable |

Warranty

| | |
|----------------------|--|
| Product Warranty | 10-year Limited Product Warranty |
| Performance Warranty | Minimum Power Output for Year 1 : 97.5% |
| | Maximum Power Decline from Year 2 to 24 : 0.7% |
| | Power Output at Year 25 : 80.7% |

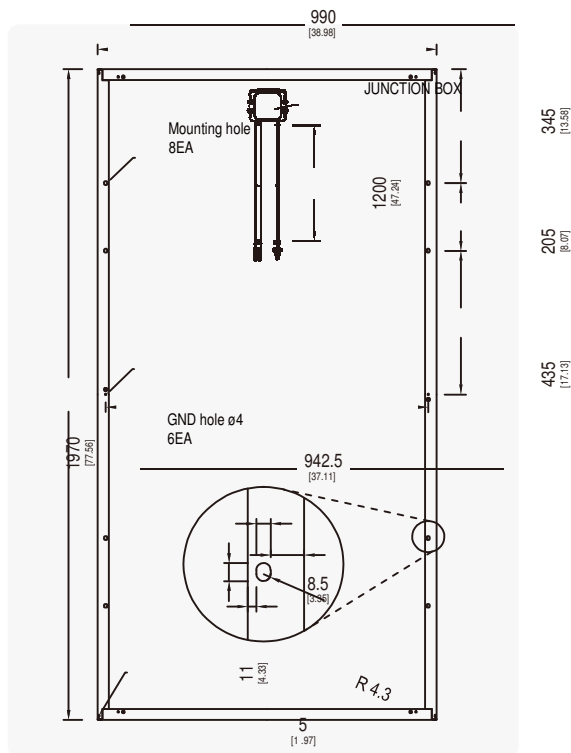
EA 72-Cell

Polycrystalline PV Module

EA300P-10 / EA305P-10 / EA310P-10 / EA315P-10
EA300P-15 / EA305P-15 / EA310P-15 / EA315P-15

Electrical Characteristics

| STC (Irradiance 1000W/m ² , module) | EA300P-10/15 | EA305P-10/15 | EA310P-10/15 | EA315P-10/15 |
|--|---|-----------------|-----------------|-----------------|
| Rated Power (P _{max}) | 300W | 305W | 310W | 315W |
| Voltage at P _{max} (V _{mp}) | 35.6V | 36.0V | 36.3V | 36.6V |
| Current at P _{max} (I _{mp}) | 8.44A | 8.47A | 8.54A | 8.61A |
| Warranted Minimum P _{max} | 300W | 305W | 310W | 315W |
| Short-Circuit Current (I _{sc}) | 8.88A | 8.90A | 8.96A | 9.01A |
| Open-Circuit Voltage (V _{oc}) | 44.9V | 45.1V | 45.4V | 45.6V |
| Module Efficiency | 15.38% / 15.13% | 15.64% / 15.38% | 15.89% / 15.63% | 16.15% / 15.88% |
| Operating Module Temperature | -40 to + 85 | | | |
| Maximum System Voltage | 1000V _{DC} (UL) / 1500V _{DC} (UL) | | | |
| Maximum Series Fuse Rating | 15A | | | |
| Maximum Reverse Current | 20.25A | | | |
| Power Tolerance | 0 ~ +5 W | | | |



Drainage hole
4E
A

* Applicable to 1,000V modules

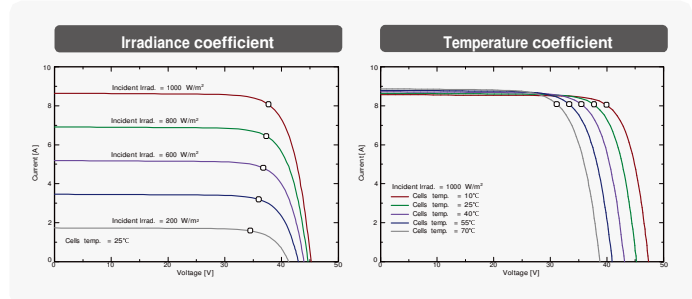
Unit :
mm
[inch]

Temperature Characteristics

| | |
|---|------------|
| Temperature Coefficient of I _{sc} | 0.056 / °C |
| Temperature Coefficient of V _{oc} | -0.301 / |
| Temperature Coefficient of Power | -0.398 / |
| NOCT (T _{air} 20°C ; Irradiance 800W/m ² ; Wind 1m/s) | 45±2 |

Packing Configuration

| | |
|-----------------------|------------|
| Container | 40' H/C |
| Modules Per Pallet | 25 pcs |
| Pallets Per Container | 22 pallets |
| Modules Per Container | 550 pcs |



Remarks :

P_{max} measurement tolerance : ±2.5%

EA uses triple AAA class simulator.

Specification subject to change without prior notice. EA reserves the rights of final interpretation. Document : EA-Datasheet_EA 72-Cell_3BB_2016_US_V03