



SOLUXTEC

DIE MODUL MANUFAKTUR
100% MADE IN GERMANY



SOLUXTEC DAS MODUL

Multi Serie

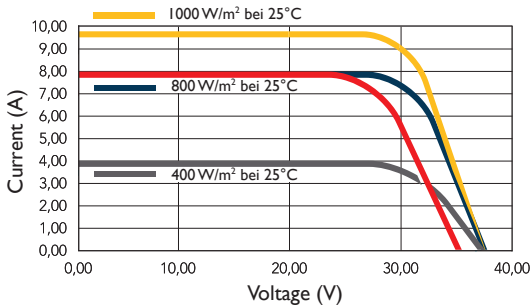
-  20 year warranty
-  Low carbon footprint
-  Extremely lightweight Design
-  100% Quality Assurance
-  Linear Performance Guarantee
-  5400 Pa max load capacity
-  Innovative Junction Box
-  Excellent thermal Properties
-  Positive performance Tolerance



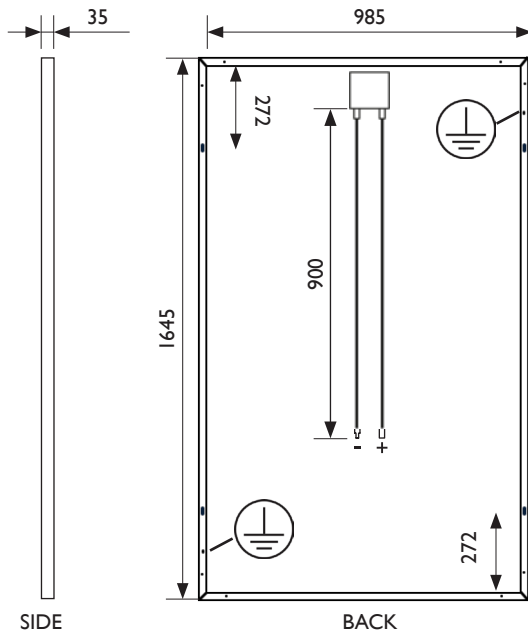
SOLUXTEC DAS MODUL

Multi Serie

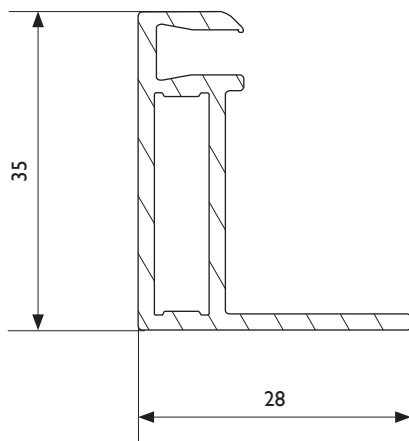
I-V CURVES



MODULE DIMENSIONS



FRAME DIMENSIONS



SOLUXTEC

Soluxtec GmbH, Werner von Siemens Str. 25, 54634 Bitburg
Tel.: +49 65 61 69 37 265 Fax: +49 65 61 69 40 521
E-Mail: info@soluxtec.de Web: www.soluxtec.eu

ELECTRICAL PERFORMANCE UNDER STANDARD TEST CONDITIONS, 1000 W/m², AM=1.5

Maximum Power	P _{max}	Wp	250	255	260	265	270
Open Circuit Voltage	V _{oc}	V	37,90	37,92	37,95	37,98	38,01
Short Circuit	I _{sc}	A	8,75	8,84	8,91	8,98	9,05
Maximum Power Point Voltage	V _{mpp}	V	30,40	30,60	30,80	31,00	31,22
Maximum Power Point Current	I _{mp}	A	8,25	8,34	8,45	8,55	8,65
Efficiency	%		15,48	15,75	16,06	16,35	16,65

ELECTRICAL PERFORMANCE UNDER NOCT, 800 W/m², AM=1.5, T=20°C

Maximum Power	P _{max}	Wp	185	189	193	196	199
Open Circuit Voltage	V _{oc}	V	34,70	34,80	34,90	35,05	36,00
Short Circuit	I _{sc}	A	7,12	7,14	7,17	7,20	7,25
Maximum Power Point Voltage	V _{mpp}	V	27,80	28,20	28,60	29,00	29,05
Maximum Power Point Current	I _{mp}	A	6,69	6,72	6,76	6,80	6,86

THERMAL CHARACTERISTICS

STC	25°
NOCT	45°
TC I _{sc}	+0,052%/K
TC v _{oc}	- 0,335%/K
TC P _{mp}	- 0,440%/K

COMPONENTS

Cells Number	60
Technology	polycrystalline silicon
Cell Dimension	156 x 156 mm
Junction Box	IP 67 ventilated
Connector	MC4
Glass	tempered+patterned
Glass Thickness	3,2 mm

GENERAL CHARACTERISTICS

Module Weight	18 kg
Color	black / white
Frame Color	black / silver
Total Thickness	35 mm

INTEGRATION CHARACTERISTICS

Max. System Voltage	1000 Vdc
Protection Class	A
Operating Temperature Range	- 40 ... + 80
Max. Reserve Current	16 A

CERTIFICATIONS

IEC 61215
EN 61730

PERFORMANCE WARRANTY

Linear
80,20% after 25 years

PRODUCT WARRANTY

20 years

POWER TOLERANCE*

0/+3% of P_{mp}
PFlash > P_{mp}

This data Sheet complies with the requirements of EN 50380.

Soluxtec reserves the right to make specification changes without prior notice (2017).

* Flasher AAA, Power tolerance measurement of +/- 3%.

V01_2017

www.soluxtec.eu