



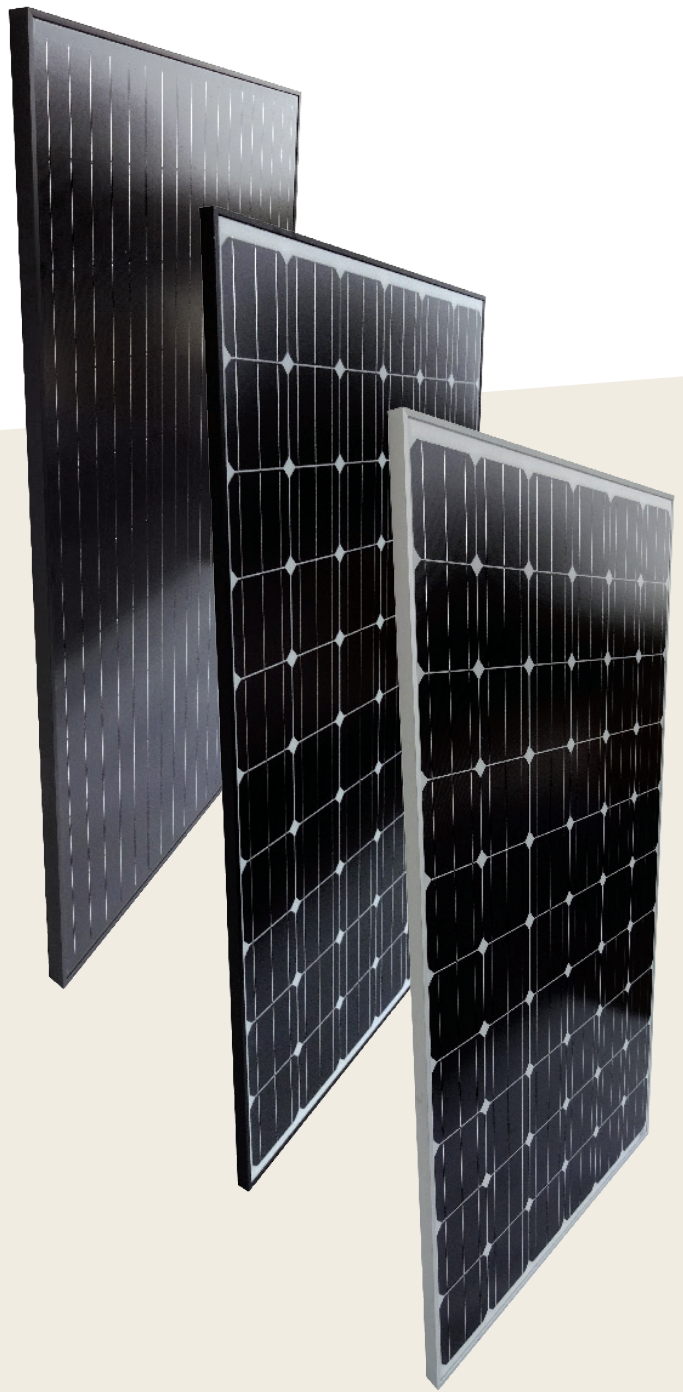
SOLUXTEC

DIE MODUL MANUFAKTUR
100% MADE IN GERMANY

SOLUXTEC DAS MODUL

Mono Serie

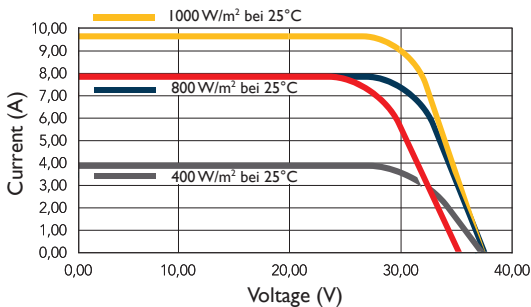
-  20 year warranty
-  Low carbon footprint
-  Extremely lightweight Design
-  100% Quality Assurance
-  Linear Performance Guarantee
-  5400 Pa max load capacity
-  Innovative Junction Box
-  Excellent thermal Properties
-  Positive performance Tolerance



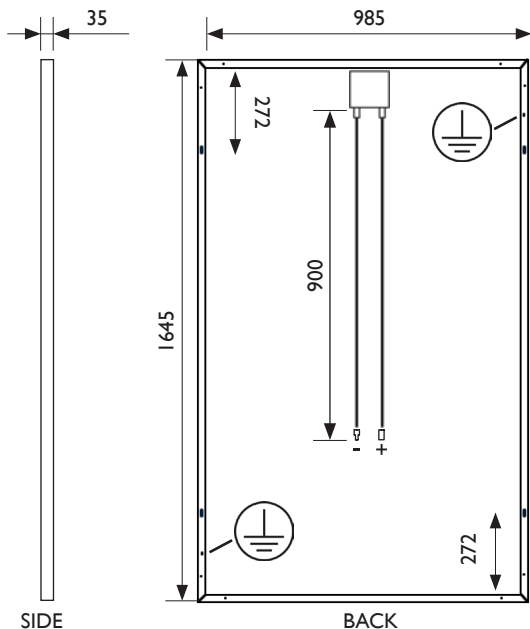
SOLUXTEC DAS MODUL

Mono Serie

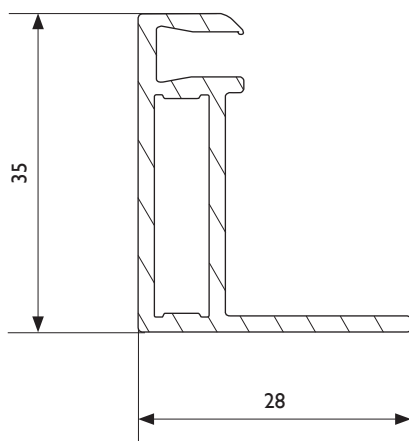
I-V CURVES



MODULE DIMENSIONS



FRAME DIMENSIONS



Soluxtec GmbH, Werner von Siemens Str. 25, 54634 Bitburg
Tel.: +49 65 61 69 37 265 Fax: +49 65 61 69 40 521
E-Mail: info@soluxtec.de Web: www.soluxtec.eu

ELECTRICAL PERFORMANCE UNDER STANDARD TEST CONDITIONS, 1000 W/m², AM=1.5

Maximum Power	P _{max}	Wp	275	280	285	290	295	300
Open Circuit Voltage	V _{oc}	V	38,05	38,25	38,45	38,70	39,10	39,45
Short Circuit	I _{sc}	A	9,06	9,14	9,25	9,52	9,76	9,90
Maximum Power Point Voltage	V _{mpp}	V	31,80	31,85	31,90	31,95	32,05	32,15
Maximum Power Point Current	I _{mpp}	A	8,65	8,80	8,95	9,10	9,22	9,35
Efficiency	%		16,98	17,30	17,60	17,90	18,20	18,50

ELECTRICAL PERFORMANCE UNDER NOCT, 800 W/m², AM=1.5, T=20°C

Maximum Power	P _{max}	Wp	201	205	209	213	216	220
Open Circuit Voltage	V _{oc}	V	35,10	35,10	35,15	35,25	35,50	36,25
Short Circuit	I _{sc}	A	7,24	7,32	7,40	7,62	7,81	7,92
Maximum Power Point Voltage	V _{mpp}	V	29,02	29,10	29,15	29,20	29,30	29,40
Maximum Power Point Current	I _{mpp}	A	6,93	7,05	7,20	7,30	7,40	7,50

THERMAL CHARACTERISTICS

STC	25°
NOCT	45°
TC I _{sc}	+0,042%/K
TC v _{oc}	- 0,30%/K
TC P _{mpp}	- 0,39%/K

COMPONENTS

Cells Number	60
Technology	monocrystalline silicon
Cell Dimension	156 × 156 mm
Junction Box	IP 67 ventilated
Connector	MC4
Glass	tempered+patterned
Glass Thickness	3,2 mm

GENERAL CHARACTERISTICS

Module Weight	18 kg
Color	black / white
Frame Color	black / silver
Total Thickness	35 mm

INTEGRATION CHARACTERISTICS

Max. System Voltage	1000 Vdc
Protection Class	A
Operating Temperature Range	- 40 ... + 80
Max. Reserve Current	16 A

CERTIFICATIONS

IEC 61215
EN 61730

PERFORMANCE WARRANTY

Linear
80,20% after 25 years

PRODUCT WARRANTY

20 years

POWER TOLERANCE*

0/+3% auf P_{mpp}
PFlash > P_{mpp}

This data Sheet complies with the requirements of EN 50380.
Soluxtec reserves the right to make specification changes without prior notice (2017).
* Flasher AAA, Power tolerance measurement of +/- 3%.