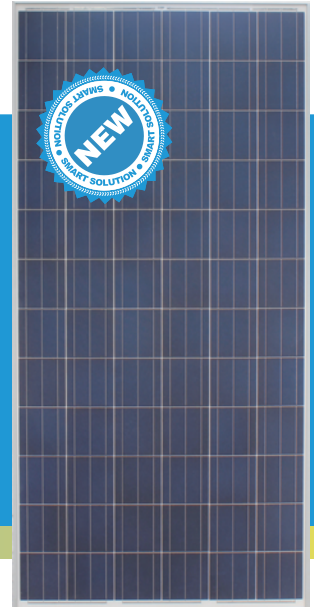


# LIGHTWAY SMART SOLUTION

LW6P72b\_ST SERIES



**315W\***

Max power output

**16.23%\***

Max efficiency

**10 Year**

Product warranty

**25 Year**

80% power output



#### Module Level MPPT

Maximize power output of PV system  
Resist to negative impact from shading and module mismatch



#### Module Level Monitoring

Easy and intuitive access to module-level data  
Remote troubleshooting



#### Enhanced Safety

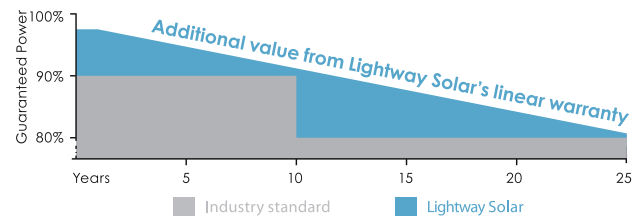
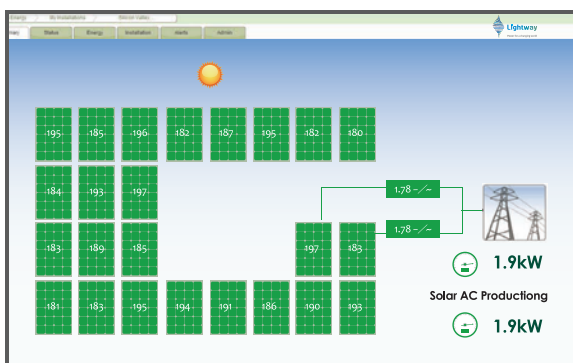
Panel-level shut off for maintenance  
Automatic DC shut off for emergencies



#### Full Smart Solution

Fully integrated into the junction box  
Compatible with any inverter

### Module Level Monitoring



#### LINEAR WARRANTY

- 10-year warranty on materials and workmanship
- 25-year warranty > 80% power output
- 2.5% degradation rate the first year
- 0.70% yearly linear degradation



## ELECTRICAL DATA\*

Module Type		LW6P72b-315	LW6P72b-310	LW6P72b-305	LW6P72b-300
Peak Power_Pmax	W	315	310	305	300
Power tolerance_ΔPmax	W	0,+5			
Voltage at Pmax_Vmpp	V	36.81	36.54	36.34	36.15
Current at Pmax_Imp	A	8.57	8.51	8.42	8.31
Open Circuit Voltage_Voc	V	38	38	38	38
Short Circuit Current_Isc	A	8.92	8.85	8.76	8.68
Module Efficiency_η		16.23%	15.98%	15.72%	15.46%

## DC OPTIMIZER TECHNICAL DATA

INPUT DATA	
Maximum power	300W
Maximum input DC voltage(Voc)	52V
Vmp range	16~48V
Maximum continuous current(Imp)	9.5A
Maximum input current(Isc)	10A
OUTPUT DATA(DC)	
Maximum output power	300W
Maximum continuous current	9.5A
Nominal Voltage/Range	Variable
MECHANICAL DATA	
Operating temperature	-40~+85 °C
Cooling	Natural convection

## MAXIMIZER MANAGEMENT UNIT(MMU)

Electrical specifications	Single MMU supports up to 360 module maximizers
Communication(MMU to Data Center)	Ethernet
Weight	1000g
Environmental rating	NEMA 3R
Operating temperature	0 ~ 70 °C

## MODULE CONSTRUCTION MATERIALS

Solar cells	72-multicrystalline silicon cells, 156mm*156mm
Glass	3.2mm low-iron tempered glass
Encapsulant	ethylene vinyl acetate(EVA)
Frame	anodized aluminium alloy(Silver)
Junction Box	power optimizer
Cable(type)	4mm <sup>2</sup> PV cable

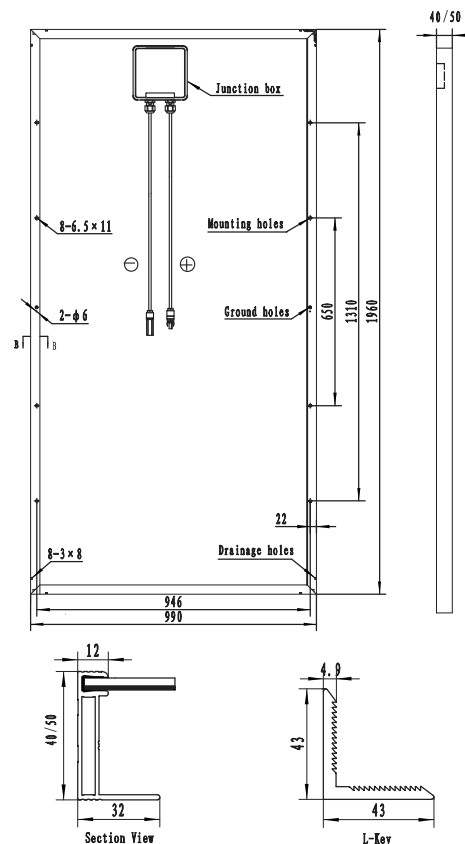
## PACKING DATA

Module Dimension(L×W×H)	1960×990×40mm	1960×990×50mm
Modules per pallet	26pcs	21pcs
Pallets per 40' container	22pcs	22pcs
Packing box dimension(L×W×H)	2000×1120×1160mm	2000×1120×1160mm

DC solution is compatible with all Lightway modules.

\*: The electrical data are measured with conventional module.

Unit:mm



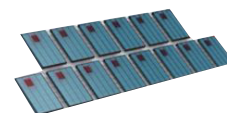
MMU



Monitoring



DC optimizer



PV array