



**16.29%**  
Max Module Efficiency

**265W**  
Max Power Output

**12 Year**  
Product Warranty

**25 Year**  
Linear Power Warranty

## Certifications



# XTM6-60



### Positive tolerance

Guaranteed power output positive tolerance from 0 to 3%.



### Smart auto-recognition of weak light performance

Smart light auto-recognition under the condition of low irradiance and hazy light (mornings, evenings and cloudy days).



### Steady resistance to strong hailstone, wind and snow loads

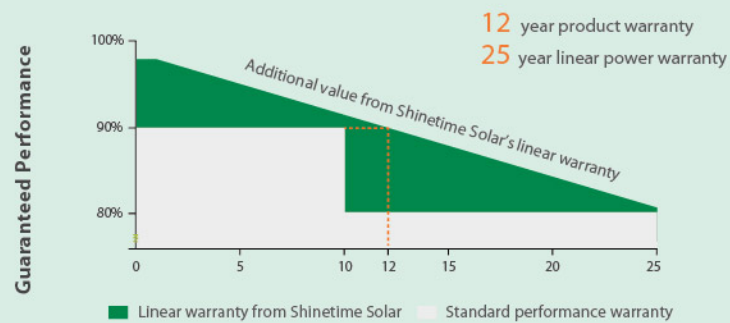
Special frame construction certified to ensure high wind loads (2400 Pa), snow loads (5400 Pa) and hailstone (40mm/4.5m/s).



### Certified manufacturing facility

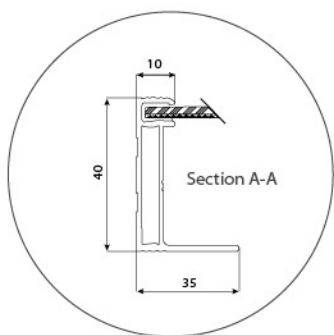
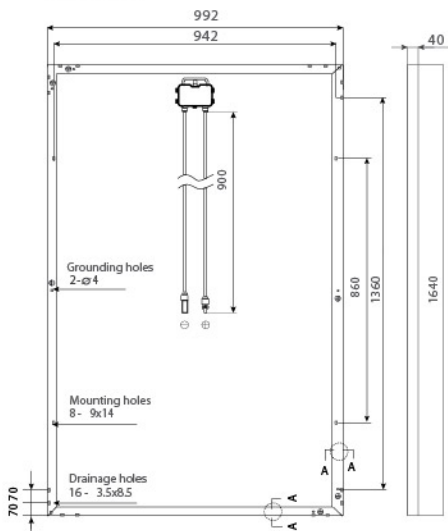
Manufacturing facility certified by TUV Rheinland to ISO 9001:2008, ISO 14001:2004.

## Linear Performance Warranty





Unit: mm



Electrical Data @ STC	XTM6-60-250	XTM6-60-255	XTM6-60-260	XTM6-60-265	XTM6-60-270
Peak Power Watts - P <sub>max</sub> (Wp)	250	255	260	265	270
Nominal Power Voltage - V <sub>mp</sub> (V)	30.3	30.6	30.8	31.1	31.3
Nominal Power Current - I <sub>mp</sub> (A)	8.25	8.33	8.44	8.52	8.63
Open Circuit Voltage - V <sub>oc</sub> (V)	37.7	37.9	38.1	38.3	38.5
Short Circuit Current - I <sub>sc</sub> (A)	8.77	8.85	8.93	9.01	9.09
Module Efficiency - η <sub>m</sub> (%)	15.37	15.67	15.98	16.29	16.60

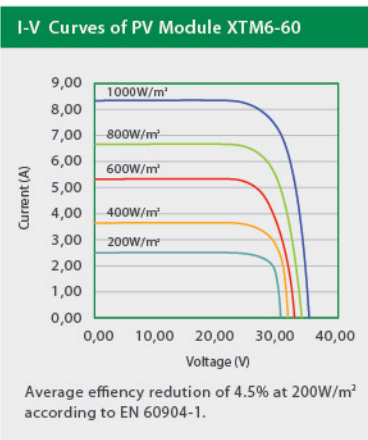
Values at Standard Test Conditions STC (Air Mass: AM1.5, Irradiance: 1000W/m<sup>2</sup>; Cell Temperature: 25 °C).

Electrical Data @ NOCT	XTM6-60-250	XTM6-60-255	XTM6-60-260	XTM6-60-265	XTM6-60-270
Maximum Power - P <sub>MAX</sub> (W)	181	185	189	193	197
Maximum Power Voltage - V <sub>mp</sub> (V)	27.6	27.7	27.8	27.9	28.0
Maximum Power Current - I <sub>mp</sub> (A)	6.58	6.68	6.79	6.92	7.04
Open Circuit Voltage - V <sub>oc</sub> (V)	35.1	35.2	35.2	35.3	35.4
Short Circuit Current - I <sub>sc</sub> (A)	7.02	7.13	7.15	7.22	7.29

NOCT: Irradiance at 800W/m<sup>2</sup>, Ambient Temperature 20 °C, Wind Speed 1m/s.

Operating Conditions	
Maximum System Voltage	1000Vdc
Max Series Fuse Rating	15A
Operating Temperature Range	-40 ~ +85
Max. Static Load, Front	5400Pa
Max. Static Load, Back	2400Pa
Max. Hailstone Impact	40mm/4.5m/s

Mechanical Data	
Solar Cells	Monocrystalline 156*156 mm (6 inches)
Cells Orientation	60 cells (6*10)
Module Dimension	1640*992*40 mm
Weight	19.5 kg
Glass	High transparency and low-iron tempered solar glass 3.2 mm (0.13 inches)
Frame	Silver color anodized aluminum alloy
Junction Box	IP 67 rated
Cable	Photovoltaic technology cable: 4.0mm <sup>2</sup> (0.006 inches <sup>2</sup> ), 900mm (35.4 inches),
Connector	MC4 Compatible/IP65 or MC4 Original/IP67



### Temperature Ratings

Nominal Operating Cell Temperature (NOCT)	(45±3)
Temperature Coefficient of P <sub>max</sub>	(-0.412) %/k
Temperature Coefficient of V <sub>oc</sub>	(-0.344) %/k
Temperature Coefficient of I <sub>sc</sub>	(0.052) %/k



### Warranty

12 year workmanship warranty
25 year linear performance warranty (12 year 90% power output, 25 year 80% power output)

### Packing Configuration

26pcs per ctn, 2pcs per box, (2ctns+2boxes) per plt, 14 plts (784pcs) per 40'HQ
---