



German  
Solar  
Production



**NEW-TEK**  
POWERED BY **SCHMID**

www.newtek-schmid.com  
sales@newtek-schmid.com

NEWTEK GRADE A+ series  
NEWTEK NTE 260/265/270-60P

# Polycrystalline Photovoltaic Module

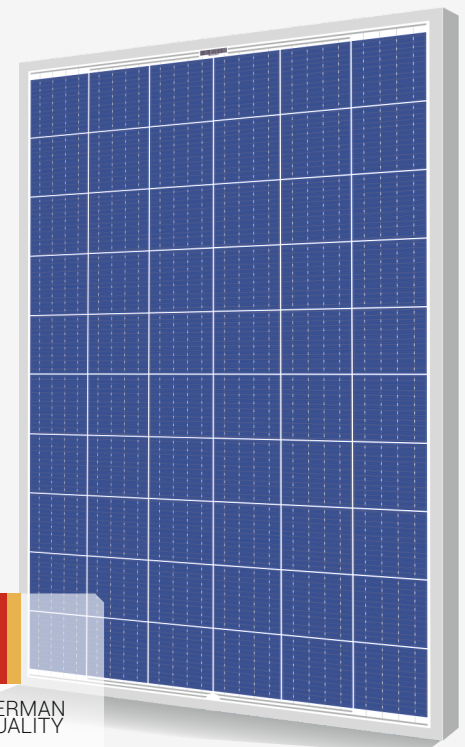
Premium Quality  
PV Solar Module

## Data sheet

NEWTEK NTE photovoltaic modules of **GRADE A+** are manufactured using German technology with application of A grade 60 polycrystalline cells; the efficiency of cells starts from 18.5%. The output power of the module starts from 260W and up to 270W.

Combining cost-effective prices, aesthetic design, ease of installation and long life time (at least 25 years), our PV solar modules are the optimal solution for the construction of a large solar power plant and for autonomous or backup power systems for any suburban or a multi-storey house.

NEWTEK NTE PV solar modules are manufactured using German technology and equipment (SCHMID GROUP) in compliance with all standards.



**10**  
years

10 years manufacturer's warranty for materials and workmanship compliant to industrial standard

**4BB**

Greater number of bus-bars provide uniform heating  
Guarantee lower degradation of silicon cells

**P-Max**

High performance in low light is reached  
by unique technology and materials

**+**  
Wp

Positive power tolerance from 0-5W  
Higher guaranteed yield

**550 KG**

Snow load up to 550 kg / m<sup>2</sup>  
Durable operating capacity in extreme conditions

**100%**

100% inspection of manufacturing at 3 stages  
and control over micro cracks on the cells

**Soft Grip**

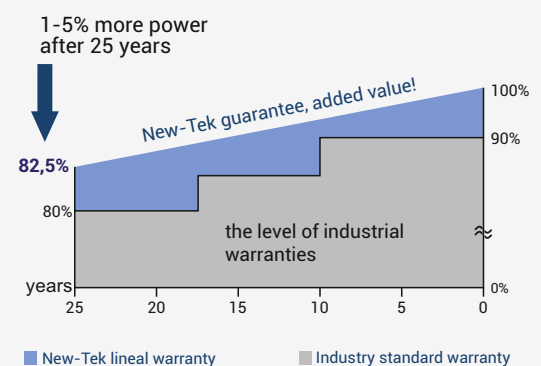
Reinforced anodized aluminum frame  
Higher durability and ease of installation

**IP 65**

High quality of Junction Box with climate membrane  
for condensation prevention

**lotus**

The front glass is anti-reflective layer coated  
with the "Lotus" effect for high performance



**10 YEARS PRODUCT · 25 YEARS POWER**

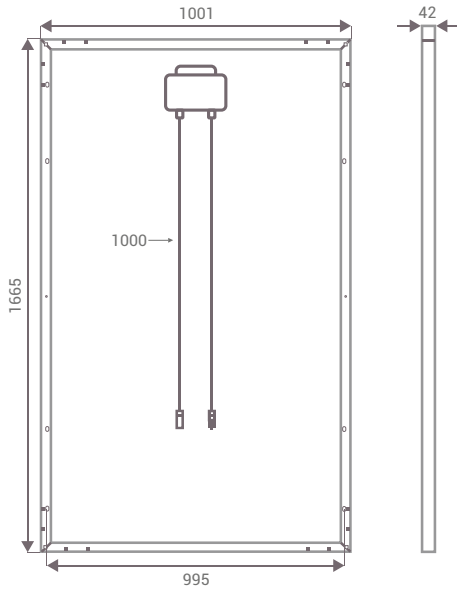
Designed in GE  
Produced in KG



# NTE 260/265/270-60P

POLYCRYSTALLINE PV MODULE

Poly-Series  
NEWTEK GRADE A+



## GENERAL CHARACTERISTICS

Dimensions	1665x1001x42 mm
Weight	18,5 kg

## PACKAGING

Modules per Pallet	45
No pallets per track	15
Dimensions of Pallet (L/W/H)	1780x1100x2200 mm

The maximum capacity per 40' container are 784 pcs

## TEMPERATURE RATING

NOCT	46 ± 2° C
Coefficients of (Pmax)	-0.43 %/°C
Coefficients of (Voc)	-0.31 %/°C
Coefficients of (Isc)	+0.05 %/°C

## CERTIFICATIONS



IEC 61215 IEC 61730

IEC 61215, IEC 61730-1, IEC 61730-2, RST, EAC

## ELECTRICAL DATA

STC (test conditions)	NTE 260 60P	NTE 265 60P	NTE 270 60P
Maximum Power at STC (Pmax)	260 W	265 W	270 W
Optimum Operating Voltage (Vmp)	31,00 V	31,10 V	31,30 V
Optimum Operating Current (Imp)	8,40 A	8,50 A	8,60 A
Open Circuit Voltage (Voc)	38,40 V	38,50 V	38,60 V
Short Circuit Current (Isc)	8,90 A	9,00 A	9,10 A
Cell Efficiency	18,50 %	18,80 %	19,20 %

Electric characteristics at normal operation conditions (STC)  
STC Conditions: Irradiance: 1 000 W/m<sup>2</sup>, cell temperature: 25°C, AM=1.5

NOCT (test conditions)	NTE 260 60P	NTE 265 60P	NTE 270 60P
Maximum Power at STC (Pmax)	190 W	193 W	197 W
Optimum Operating Voltage (Vmp)	27,80 V	28,00 V	28,20 V
Optimum Operating Current (Imp)	6,80 A	6,90 A	7,00 A
Open Circuit Voltage (Voc)	35,00 V	35,10 V	35,20 V
Open Circuit Current (Isc)	7,30 A	7,40 A	7,50 A

Electric characteristics at normal operation conditions (NOCT)  
NOCT Conditions (46 ± 2° C): Irradiance: 800 W/m<sup>2</sup>, ambient temperature: 20°C, AM=1.5, wind speed: 1m/s

## OPERATIVE CONDITIONS

Power Tolerance	0/+5 W
Maximum System Voltage	1.000 V
Maximum Series Fuse Rating	15 A
Operating Temperature Range	-40° C to 85 °C
Maximum Static Load, Front (Snow)	5 400 Pa
Maximum Static Load, Back (Wind)	2 400 Pa
Fire Rating	Class A

## MECHANICAL CHARACTERISTICS

Solar Cells - GRADE A	Polycrystalline silicon cells 156x156 mm, 4BB
Cell Arrangement	60 cells in module
Front Cover	Low-iron tempered glass, 3.2 mm, with AR
Reinforced Frame (wall thickness)	Anodize aluminum alloy (2,0 mm)
Encapsulant	Composite film (EVA+Backsheet)
Junction Box	IP65, climatic membrane
Bypass Diodes	3
Cables (length/area)	1000 mm / 4 mm <sup>2</sup> , (IEC), 12 AWG (UL)
Connectors	MC4

### Caution:

To operate, install and manage New-Tek's modules, read the installation manual and use carefully.

### Observations:

This Datasheet is subject to change without notice due to continuous improvement of our products. You can find all records of the updates on our website [www.newtek-schmid.com](http://www.newtek-schmid.com) or by contacting one of our sales staff. All rights reserved ©NEWTEK ®

Authorized Partner:



January 2017 - NEWTEK®

**NEWTEK PV MODULES AND SOLAR SYSTEMS**  
303 Ch. Aitmatov street, 720045 Bishkek, Kyrgyz Republic  
Tel: (+996) 770 05 05 51  
office@newtek-schmid.com  
[www.newtek-schmid.com](http://www.newtek-schmid.com)

