

320-335<sub>W</sub>



### MANAGEMENT SYSTEM

- ISO 9001:** Quality management system
- ISO 14001:** Standard for environmental management system
- OHSAS 18001:** International standard for occupational health and safety assessment system

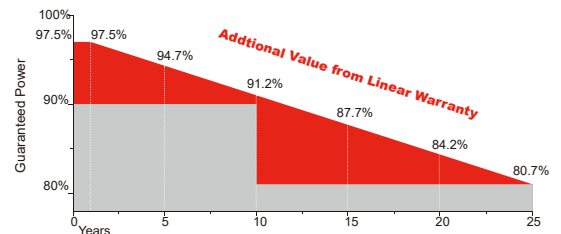
### PRODUCT CERTIFICATES



### INSURANCE



### WARRANTY



**10 YEARS** Guarantee on product material and workmanship | **25 YEARS** linear power output warranty

## Safety

**1500V** Withstand and applicable up to 1500V high system voltage

**NEW -IEC-** Tested and certified according to newest IEC standard IEC61730-1:2016 IEC61730-2:2016

**G** Class C fire safety class

## Reliability

**NEW -IEC-** Tested and certified according to newest IEC standard IEC61215:2016

**1<sup>st</sup>** World 1st company to pass "Thresher Test" and "On-site Power Measurement Validation" certificate

**\$\$\$** BANKABLE Bankable products

## Performance

**Advanced** Outstanding power output capability at low irradiance

**Triple 100%** Triple 100% Electroluminescence (EL) tests minimize breakage rate

**Photon TOP** Top rank in Photon yield measurement

# SRP-6PA-HV SERIES 6 INCH 72 CELLS



\*BLACK FRAME / BLACK BACK-SHEET PRODUCTS ARE AVAILABLE UPON REQUEST.

## Electrical Characteristics(STC)

Module Type	SRP-320-6PA-HV	SRP-325-6PA-HV	SRP-330-6PA-HV	SRP-335-6PA-HV
Maximum Power at STC - $P_{mp}$ (W)	320	325	330	335
Open Circuit Voltage - $V_{oc}$ (V)	45.5	45.7	45.9	46.2
Short Circuit Current - $I_{sc}$ (A)	8.96	9.03	9.12	9.20
Maximum Power Voltage - $V_{mp}$ (V)	37	37.3	37.5	37.7
Maximum Power Current - $I_{mp}$ (A)	8.65	8.72	8.80	8.89
Module Efficiency STC- $\eta_m$ (%)	16.37	16.63	16.89	17.14

STC: Irradiance 1000 W/m<sup>2</sup> module temperature 25°C AM=1.5

Power measurement tolerance: +/-3%

## Electrical Characteristics(NOCT)

Module Type	SRP-320-6PA-HV	SRP-325-6PA-HV	SRP-330-6PA-HV	SRP-335-6PA-HV
Maximum Power at NOCT - $P_{mp}$ (W)	236	240	244	248
Open Circuit Voltage - $V_{oc}$ (V)	42	42.2	42.4	42.6
Short Circuit Current - $I_{sc}$ (A)	7.24	7.30	7.37	7.43
Maximum Power Voltage - $V_{mp}$ (V)	34.6	34.8	35.0	35.3
Maximum Power Current - $I_{mp}$ (A)	6.83	6.89	6.98	7.02

NOCT: Irradiance 800 W/m<sup>2</sup> ambient temperature 20°C wind speed :1m/s

Power measurement tolerance: +/-3%

Power Tolerance (W)	(0,+4.99)
Maximum System Voltage (V)	1500 (TUV)
Maximum Series Fuse Rating (A)	15

## Temperature Characteristics

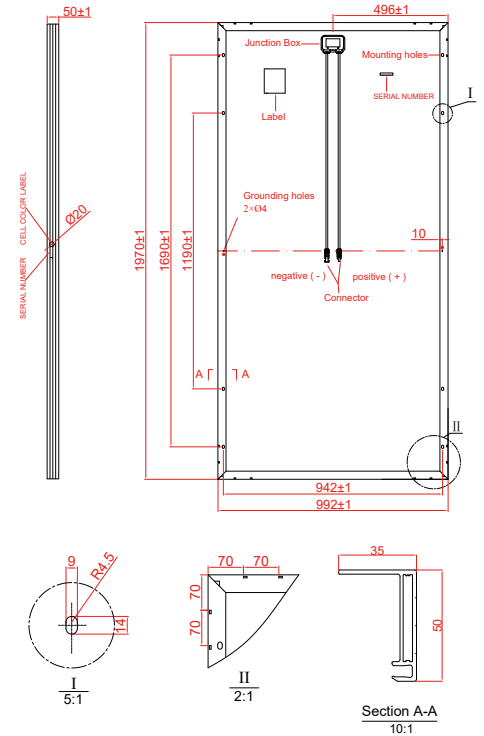
Pmax Temperature Coefficient	-0.41 %/°C
Voc Temperature Coefficient	-0.32 %/°C
Isc Temperature Coefficient	+0.05 %/°C
Operating Temperature	-40~+85 °C
Nominal Operating Cell Temperature (NOCT)	45±2 °C

## Packing Configuration

	1970 x 992 x 50mm	
Container	20'GP	40'GP
Pieces per Pallet	21	21
Pallets per Container	10	22
Pieces per Container	210	462

## Mechanical Specifications

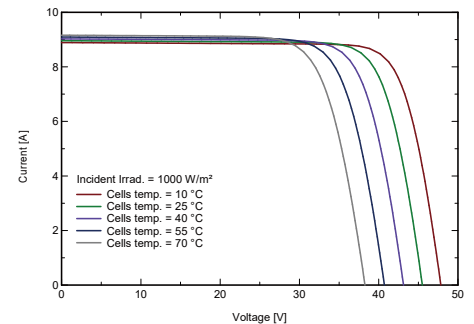
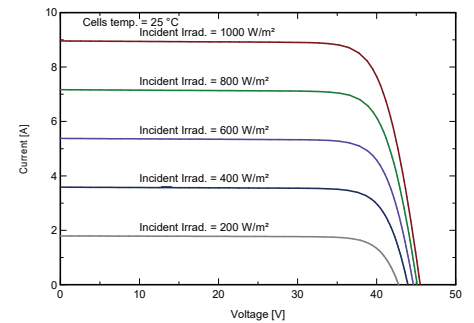
External Dimensions	1970x 992 x 50 mm
Weight	24 kg
Solar Cells	Poly crystalline 156.75x156.75 mm (72pcs)
Front Glass	3.2 mm tempered glass, low iron
Frame	Anodized aluminium alloy
Junction Box	IP67
Output Cables	4.0 mm <sup>2</sup> ,cable length:1100 mm
Connector	MC4 Compatible
Mechanical Load	5400 Pa



\* All Dimensions in mm

\* The above drawing is a graphical representation of the product. For engineering quality drawings please contact SERAPHIM.

## I-V Curve (SRP-320-6PA)



Specifications are subject to change without further notification SRP-DS-EN-2017V1.0 © Copyright 2017 Seraphim