



ACTON POWER CO.,LIMITED

## P60PCS-235W 240W 245W 250W Product Specification



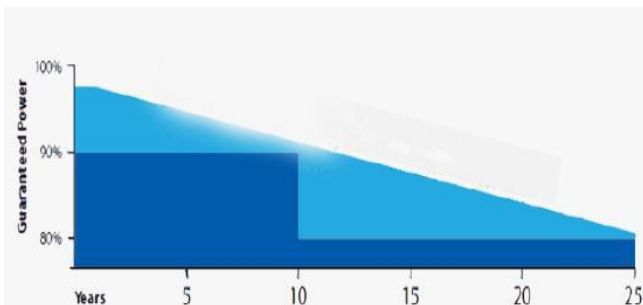
- Industry leading module power output warranty
- International quality, safety and performance
- High-reliability with guaranteed  $\pm 3\%$  power output
- Manufacturing facility certified to ISO9001 Quality Management System standards
- Beautiful appearance, good durability & easy installation
- Special design in accordance with requirements of customers

### CERTIFICATES

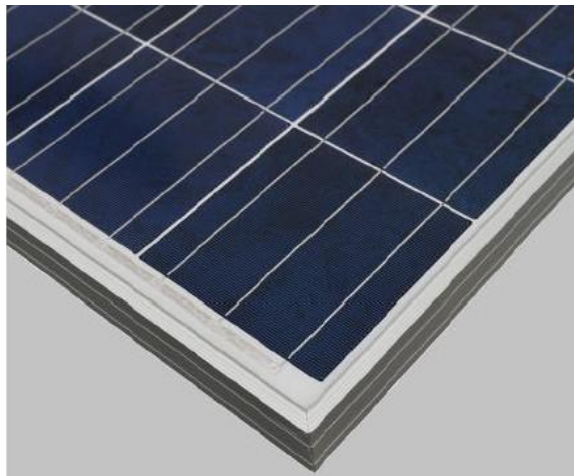


### WARRANTIES

- 10 years for product defects in materials&workmanship
- 10 years for 90% of warranted minimum power output
- 25 years for 80% of warranted minimum power output



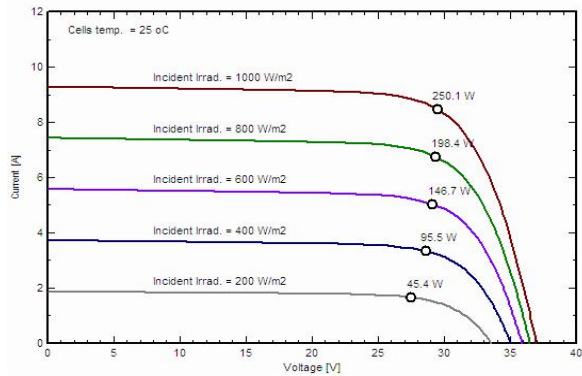
25 years linear warranty



**Electrical parameters at Standard Test Conditions**  
(STC:AM=1.5, 1000W/m<sup>2</sup>, cells Temperature 25 °C)

**I-V CURVE**

Typical Type	235W	240W	245W	250W
Max-Power (Pmax) w	235W	240W	245W	250W
Max-Power Voltage (Vmp)	29.95	30.18	30.25	30.39
Max-Power Current (Imp)	7.85	7.96	8.1	8.23
Open-Circuit Voltage(Voc)	36.41	36.72	36.8	36.97
Short-Circuit Current (Isc)	8.87	8.99	9.15	9.29
Max-System Voltage	DC1000V(TUV)/600V(UL)			
Module Efficiency (%)	14.5	14.8	15.1	15.4



**MECHANICAL DATA**

Dimensions	1640*992*40mm
Weight	18.0kgs
Front Glass	3.2 mm tempered glass TUV (2Pfg1169:2007), UL 4703, UL44 4.0
Output Cables:	900mm <sup>2</sup> (0.006 inches <sup>2</sup> ), symmetrical lengths 1000 mm
Connectors:	MC4 compatible IP67
Temperature:	(- 40 °C to + 85 °C)

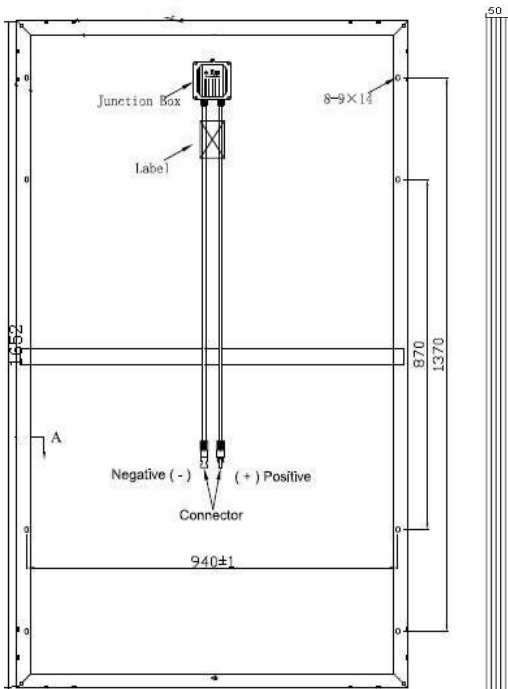
**TEMPERATURE CHARACTERISTICS**

Pmax Temperature Coefficient	(-0.40%) / °C
Voc Temperature Coefficient	(-0.32%) / °C
Isc Temperature Coefficient	(+0.08%) / °C
Operating Temperature	(-40~+85)°C
Nominal Operating Cell Temperature (NOCT)	45 +2 °C

**PACKING CONFIGURATION**

Container	20'GP	40'GP	40'HQ
Pieces per Pallet	46	46	56
Pallets per Container	6	14	14
Pieces per Container	276	644	784

**DIMENSIONS AND STRUCTURE**



**TESTS, CERTIFICATIONS AND WARRANTIES**

Standard tests	IEC 61215, IEC 61730
System certs	ISO 9001, ISO 14001
Certifications	TUV, CE
Extreme wind and snow loads testing	withstand extreme wind (3800 Pascal) and snow loads (5400 Pascal)
Power tolerance	±3%
Junction Box	IP67 Rated
Warranties	10-year material and workmanship and 25-year