

SPU-155M

Mono Crystalline Module



High Conversion Efficiency
High input efficiency to guarantee power output.



0 to +3% Positive Tolerance
Solar Panel will generate at least as much power as being shown on electrical sheet.



Self-Cleaning Glass
Made of a specific type of glass with a surface that keeps itself free of dirt and grime.



48-Hour Response Service
Ensure clients can get the response within 48-hour from our technical support team.



Free Microcrack
Our State of the Art Technologies ensure our Solar Panel to meet the expected lifespan.



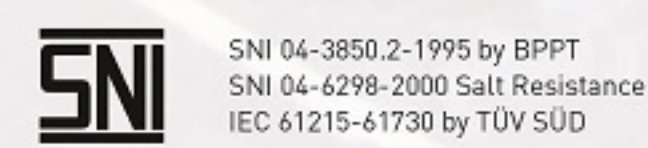
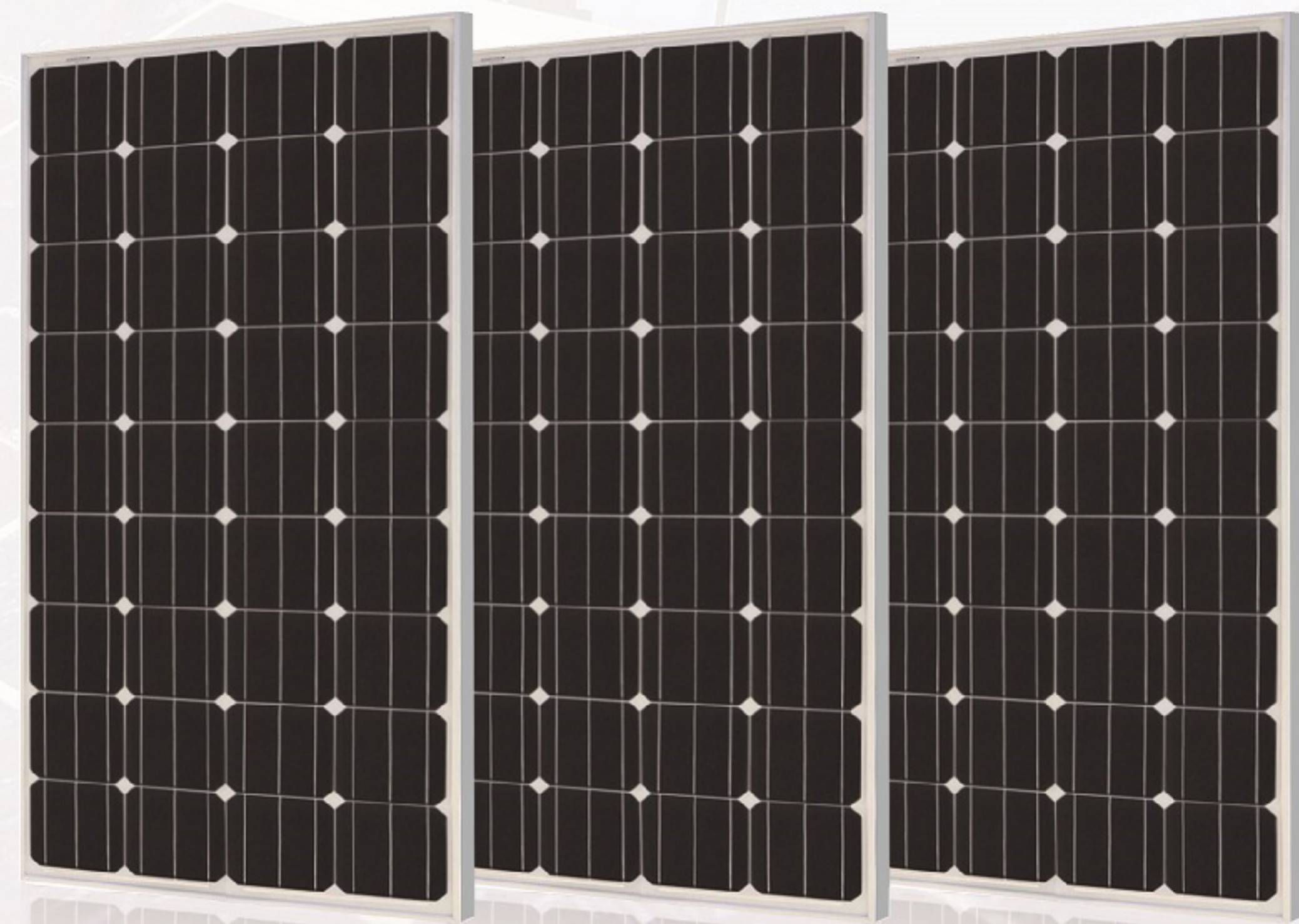
20 Years Performance Warranty
With maximum degression in performance of 1% annually.



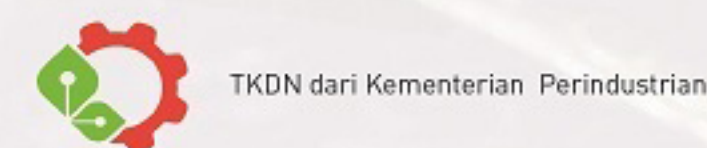
Outstanding Low Irradiation Performance
High yield performance even on low light such as cloudy or shaded conditions.



8 Years Materials & Workmanship Warranty
All of our products will be free from defects in material and workmanship, under normal use and proper handling.



SNI 04-3850.2-1995 by BPPT
SNI 04-6298-2000 Salt Resistance
IEC 61215-61730 by TÜV SÜD



TKDN dari Kementerian Perindustrian

SPU-155M

Mono Crystalline Module

SPECIFICATIONS

ELECTRICAL SPECIFICATION

Module Type	SPU-155M
Maximum Power (Pmax)	155 Wp
Maximum Power Voltage (Vmp)	18.83 V
Maximum Power Current (Imp)	8.96 A
Open-circuit Voltage (Voc)	24.16 V
Short-circuit Current (Isc)	9.69 A
Maximum System Voltage	1000 V
Maximum Rated Current Series	12 A
Power Tolerance	+3%
Nominal Operating Cell Temperature (NOCT)	45±2°C
Module Efficiency	Please refer to Test Report

MECHANICAL SPECIFICATION

Cell Size	156 x 156 mm
Number of Cell	36 Cells
Netto Weight	11.55 Kg
Gross Weight	25 Kg
Dimension	1466 x 667 x 35 mm
Bypass Diode	2
Junction Box IP Rating	IP 65 (dust & water protection)
Lifetime	20 Years

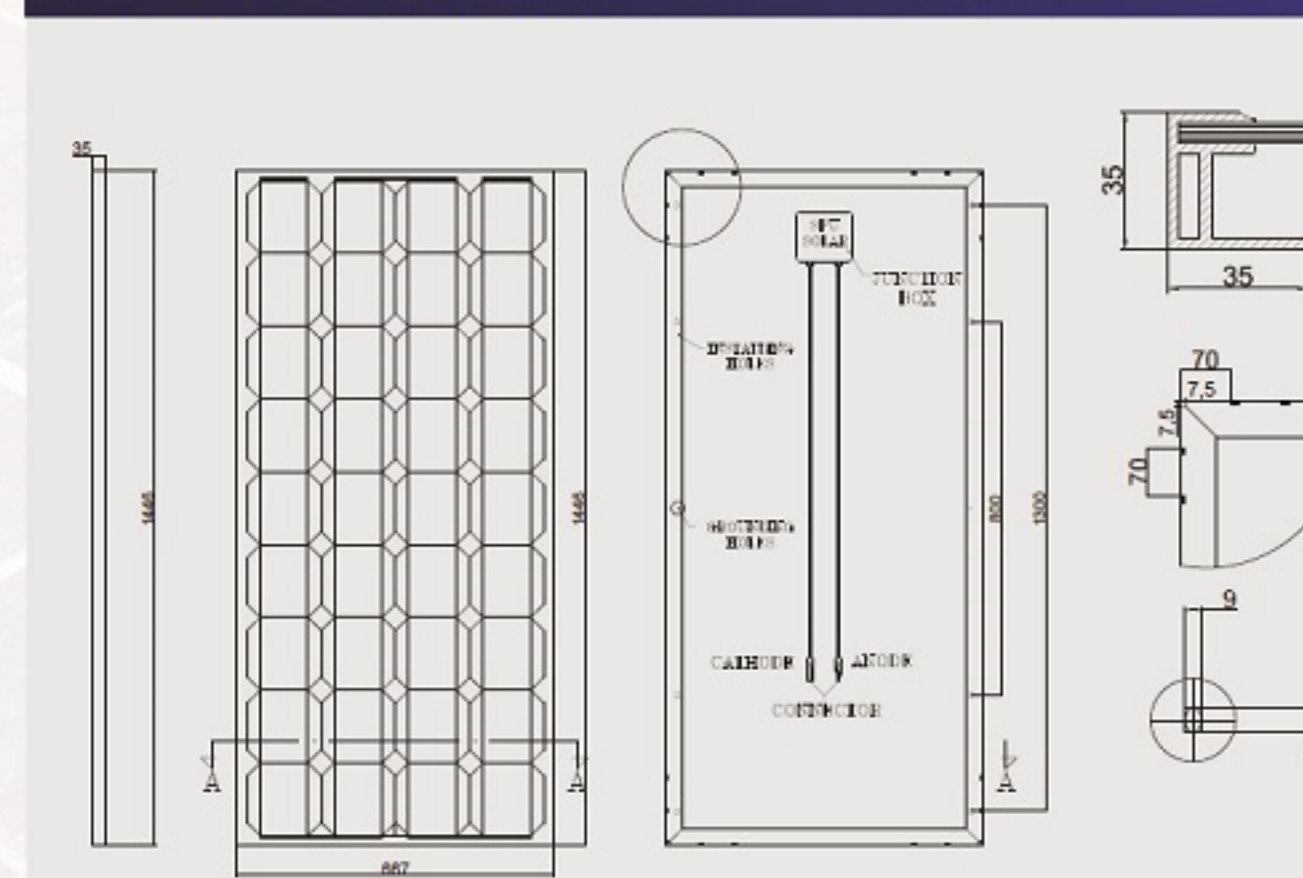
TEMPERATURE COEFFICIENT

Operating Temperature	-40°C-85°C
Temperature Coefficient of Pmax	-0.45%/°C
Temperature Coefficient of Voc	-0.33%/°C
Temperature Coefficient of Isc	-0.04%/°C

PACKING MANNER

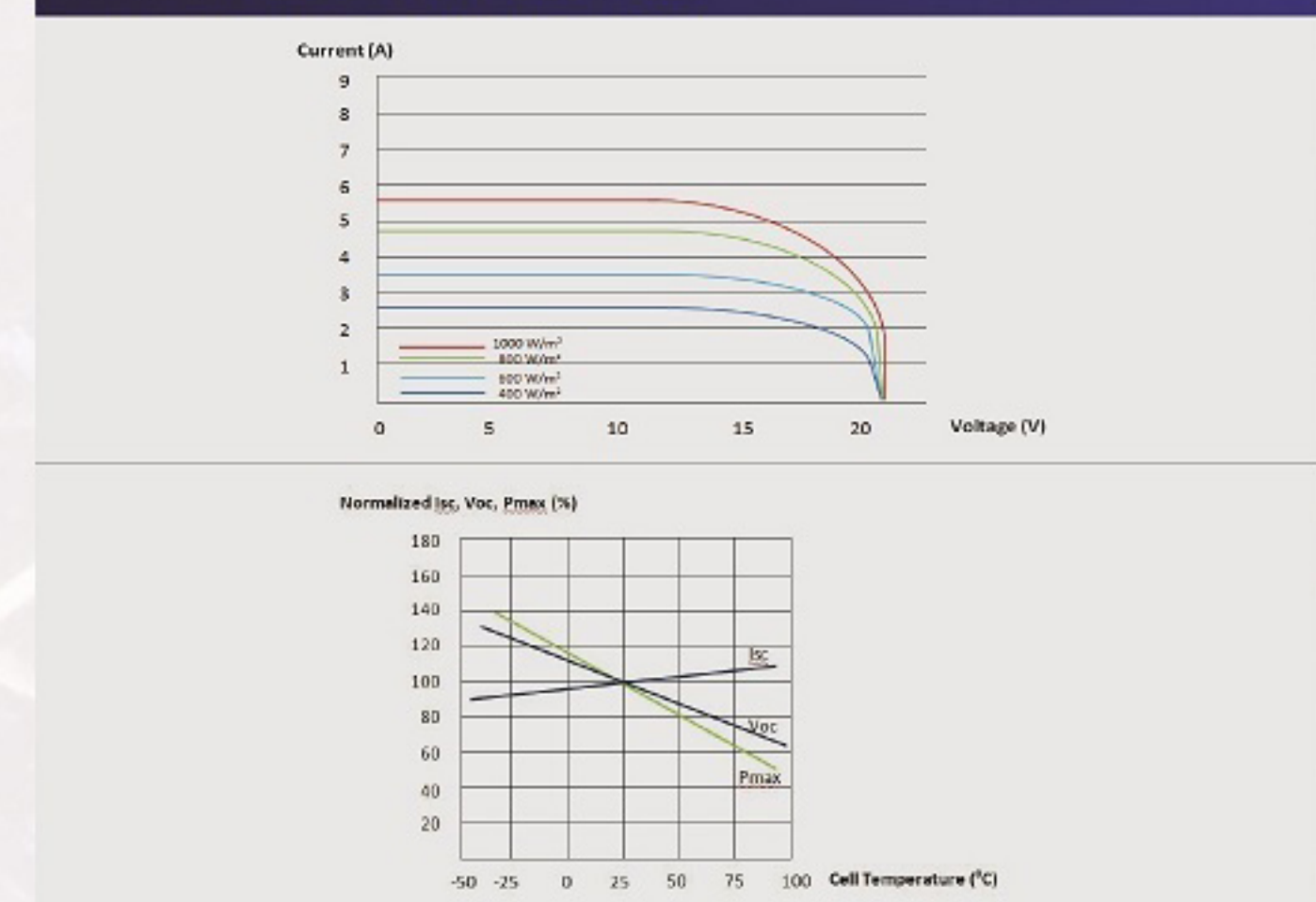
Piece / Box	2 Pcs
Piece / 20 Feet Container	480 Pcs
Piece / 40 Feet Container	880 Pcs

ENGINEERING DRAWINGS



The company reserves the final right of explanation on any information hereby presented

I-V CURVES & TEMPERATURE



I-V Curves & Temperature Dependence of Isc, Voc, Pmax

STC : Irradiance 1000 W/m² Module Temperature 25°C AM=1.5

Please contact cs@swadayaprima.com for technical support. This parameters is for reference only and it is not a part of the contracts, The specification are subject to change without prior notice.