



Multicrystalline Solar Module PP 2XX-3BB

— High-quality solar modules

Within 60 cells and 3 bypass diodes in powerclasses of 215 Wp to 245 Wp for grid connected systems.

— Reliable

The high quality level of PV SOLARSYS guarantees a long life-time and high earnings.

— Solid

Aluminium hollow-chamber frame on each side combined with low-iron, tempered solar-glass ensures a very high mechanical capacitance.

— Performance guarantee

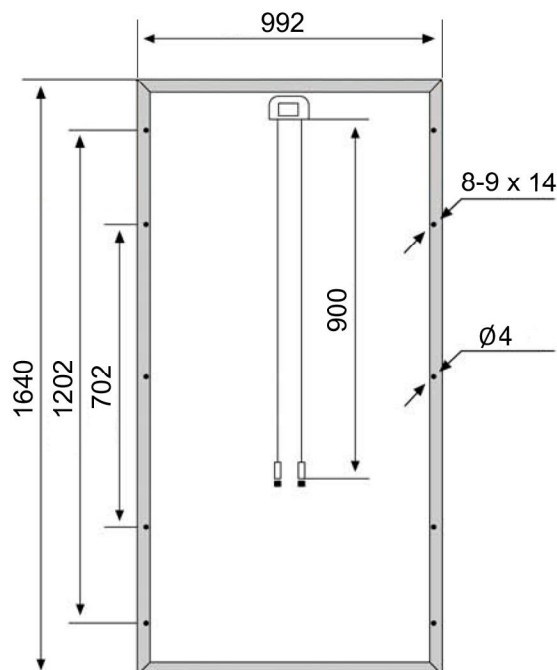
PV SOLARSYS give a power guarantee of 90% of nominal power output for 12 years and 80% for 30 years.

— Certificates

IEC 61215 edition 2
IEC 61730 UL MCS

Specifications

Dimensions	1640mm x 992mm x 45mm
Weight	19,5 kg
Frame	Aluminium hollow-chamber frame on each side
Glass	Low-iron toughened glass
Cells	60 pcs multicrystalline Si-cells (156 x 156 mm)
Cell Embedding	EVA
Back-Foil	TPT/TPE/BBF
Junction Box	With Tuv certified
Cable	4 mm ² solar-cabel 2 x 900 mm
Temperature-Range	- 40°C ... + 85°C
Power-Guarantee	12 Years 90 %, 30 Years 80 %



Electrical Characteristics

Type PP 2XX-3BB	215	220	225	230	235	240	245
Power-Class	215W	220W	225W	230W	235W	240W	245W
Max. Power Voltage (U_{mpp})[*] at STC^{**}	29.2V	29.5V	29.8V	30.1V	30.3V	30.5V	30.7V
Max. Power Current (I_{mpp}) at STC	7.33A	7.46A	7.55A	7.64A	7.75A	7.86A	7.97A
Open Circuit Voltage (U_{oc}) at STC	34.7V	35.1V	35.5V	35.8V	36.0V	36.2V	36.4V
Short Circuit Current (I_{sc}) at STC	7.91A	8.05A	8.15A	8.25A	8.37A	8.48A	8.69A

- * MPP:Maximum Power Point
- ** STC(Standard Test Conditions): 1000W/m²,25°C,AM 1.5
- *** Normal Operating Cell Temperature

Max. System Voltage	1000V/DC
Temperature-Coefficient I_{sc}	1.7mA/°C
Temperature-Coefficient U_{oc}	-142 mV/°C
Temperature-Coefficient P_{mpp}	-0.76W/°C
NOCT^{***}	45°C

PV Solarsys s.r.o.

044 42 Rozhanovce, SNP 6
Slovak Republic

www.pvsolarsys.sk
info@pvsolarsys.sk

Tel.: +421 55 3112 270
Fax: +421 55 3112 215

