



**LEAPTON**  
SOLAR

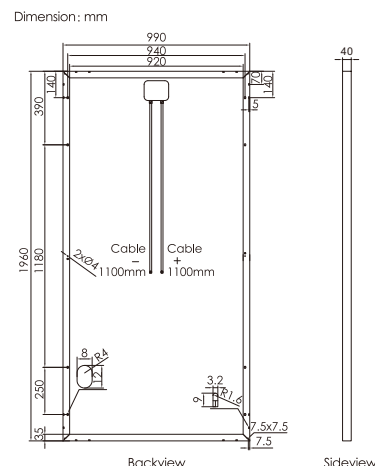
# LP156x156-M-72

## Rated Power 330-340W



Monocrystalline

Polycrystalline



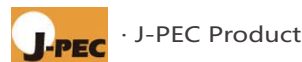
Product Series	LP156*156-M-72		
Maximum Rated Power	330W	335W	340W
Open Circuit Voltage	45.4V	45.5V	45.5V
Short Circuit Current	9.40A	9.51A	9.62A
Maximum Power Voltage	37.0V	37.18V	37.3V
Maximum Power Current	8.90A	9.01A	9.12A
Module Efficiency	17.5%	17.8%	18.0%

Product Characteristics			
Weight	21.5kg	Junction Box	IP67
Module Size	1960*990*40mm	Frame	Aluminum Alloy
Cell Amount	72 pcs of monocrystalline	Cable	4mm <sup>2</sup> , Length 1100mm
Cell Size	156*156mm	Connection	(Compatible with) MC4
Maximum System Voltage	1000V	Application Level	Class A

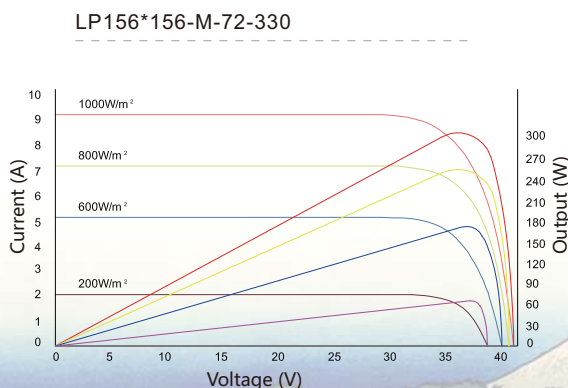
Temperature Characteristics		Maximum Ratings	
NOCT	45±2	Output Tolerance	0~+3%
Temperature Coefficient of Short Circuit Current	+0.0392%/°C	Operating Temperature	-40°C~+85°C
Temperature Coefficient of Open Circuit Voltage	-0.3121%/°C	Wind Load / Snow Load	2400pa/5400pa
Temperature Coefficient of Maximum Power	-0.4218%/°C	Fuse Current	15A



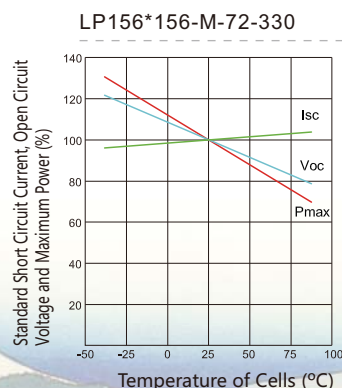
- 10-YEAR 90% Maximum Output
- 25-YEAR 80% Maximum Output



Current-Voltage Curve at Various Light Levels



Output at Various Temperatures



**Leapton Energy Co., Ltd.**  
HEAD OFFICE, Kobe, JAPAN  
Tosei Bldg.6F,1-2-1,Aioi-cho,  
Chuo-ku,Kobe-shi,  
Hyogo 650-0025,Japan

**PV System Manufacturer**  
**Leapton Solar (Changshu) Co.,Ltd.**  
No.55,Sunshine Avenue,Changshu City,  
Jiangsu, China

www.leaptonpv.com  
info@leaptonenergy.com