

# XT-Series

## XT-Poly-265/275W



Founded in 2008, Xintai Photoelectric is the China's leading comprehensive solutions provider for solar energy. We believe that close cooperation with our partners is critical to success. Xintai now distributes its PV products to home and abroad all over the world. Xintai is able to provide exceptional service to each customer in each market and supplement our quality and reliable products. We are committed to building strategic, mutually beneficial collaboration with distributors, wholesalers, installers, developers and other partners throughout the world.

### Applications



On-Grid Residential  
Roof-Tops



Solar Power Plants



On-Grid  
Commercial/Industrial  
Roof-Tops



Off-Grid Systems  
\*Including Lighting  
Systems

## Poly-Crystalline Solar Panels

### 265-275W

Power Range

### 16.8%

Module Efficiency

### 0~+5W

Power tolerance

## Lineal Performance Warranty

10 YEARS PRODUCT · 25 YEARS POWER

### Key Features



#### Advanced glass

High transmission glass resulting in increased energy production.



#### High efficiency and durability

Manufacturing process certified, excellent performance under low light environments.



#### Robust & Corrosion-free

Certified to withstand the most challenging environmental conditions.



#### 2\*100% EL inspection

Double-inspection ensures modules are defects free



#### High PID resistant

XT-Series has proved resistance to degradation induced power.



Jingyi Xintai Photoelectric Co.,Ltd.

N° 15, Xiandian Rd, Industrial Park, Wuyishan City, Fujian, China

Phone: +86-0599-5285777, 5285555, 5112888

Fax: +86-0599-5112887

E-mail: solar@wyxintai.com

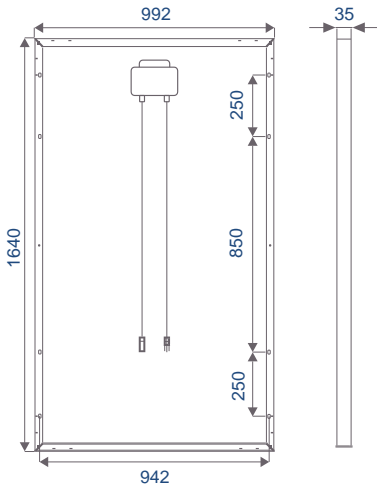
[www.wyxintai.com](http://www.wyxintai.com)

*The solar industry is an industry that  
we can fight for the whole life.*

# XT-Poly-265/275W

POLYCRYSTALLINE PV MODULES

# XT-Series



## GENERAL CHARACTERISTICS

Dimensions (mm)	1640x992x35*35
Weight	17 Kg

## PACKAGING

	40 feet	20 feet
Nº of Modules per container	840	360
Nº of Modules per pallet	30	30
Nº of pallets per container	28	12
Packaging box dimensions(mm)	1680*1120*1135	1680*1120*1135
Gross Weight per box(kgs)	580	580

## TEMPERATURE RATING

NOCT	45°C ± 2 °c
Coefficient of Pmax( $\gamma$ )	-0.43 %/°C
Coefficient of Voc ( $\beta$ )	-0.34 %/°C
Coefficient of Isc ( $\alpha$ )	+0.08 %/°C

## CERTIFICATIONS



IEC6125, UL1703,ISO9001-2015,ISO14001-2015  
CE,TUV,RoHS

## ELECTRICAL DATA

STC Standard Test Conditions	XT Poly-265W	XT Poly-270W	XT Poly-275W
Maximum Power at STC (Pmax)	265W	270W	275W
Optimum Operating Voltage (Vmp)	30.80	31.30	31.60
Optimum Operating Current (Imp)	8.60	8.68	8.73
Open Circuit Voltage (Voc)	37.90	38.10	38.30
Short Circuit Current (Isc)	9.14	9.21	9.31
Module Efficiency	16.20%	16.50%	16.80%

Electric characteristics at normal standard conditions (STC)  
STC Conditions: Irradiance: 1.000W/m<sup>2</sup>, cell temperature: 25°C, AM=1.5

NOCT Nominal Operating Cell Temperature	XT Poly-265	XT Poly-270	XT Poly-275
Maximum Power at NOCT (Pmax)	197W	201W	204W
Optimum Operating Voltage (Vmp)	28.40	28.70	28.90
Optimum Operating Current (Imp)	7.28	7.34	7.41
Open Circuit Voltage (Voc)	35.00	35.30	35.60
Short Circuit Current (Isc)	7.38	7.44	7.52

Electric characteristics at normal operation conditions (NOCT)  
NOCT Conditions: Irradiance: 800W/m<sup>2</sup>, ambient temperature: 20°C, AM=1.5, wind speed: 1m/s

## OPERATIVE CONDITIONS

Power Tolerance	0~+5W
Max. System Voltage	1000VDC
Max. Series Fuse Rating	15 A
Operating Temperature Range	-40 °C to 85 °C
Max. Static Load, Front (Snow)	5400 Pa
Max. Static Load, Back (Wind)	2400 Pa
Fire Rating	Class C

## MECHANICAL CHARACTERISTICS

Solar Cells	Monocrystalline silicon 156.75 x 156.75 mm
Cell Arrangement	60 cells in series (6*10)
Front Cover	High Transmission, Low-iron tempered glass 3.2 mm
Frame	Silver anodized aluminum alloy
Encapsulant	EVA (ethylene vinyl acetate)
Junction Box Rating	IP67
Bypass Diodes	3
Cables (length/area)	900mm / Ø 4mm <sup>2</sup>
Connectors	MC4 Compatible

### Caution:

To operate, install and manage Xintai's modules, read the installation manual and use carefully.

### Observations:

This Datasheet is subject to change without notice due to continuous improvement of our products. You can find all records of the updates on our website [www.wyxintai.com](http://www.wyxintai.com) or by contacting one of our sales staff.



Jingyi Xintai Photoelectric Co.,Ltd.

Nº 15, Xiandian Rd, Industrial Park, Wuyishan City, Fujian, China  
Phone: +86-0599-5285777, 5285555, 5112888  
Fax: +86-0599-5112887  
E-mail: solar@wyxintai.com

[www.wyxintai.com](http://www.wyxintai.com)

*The solar industry is an industry that we can fight for the whole life.*