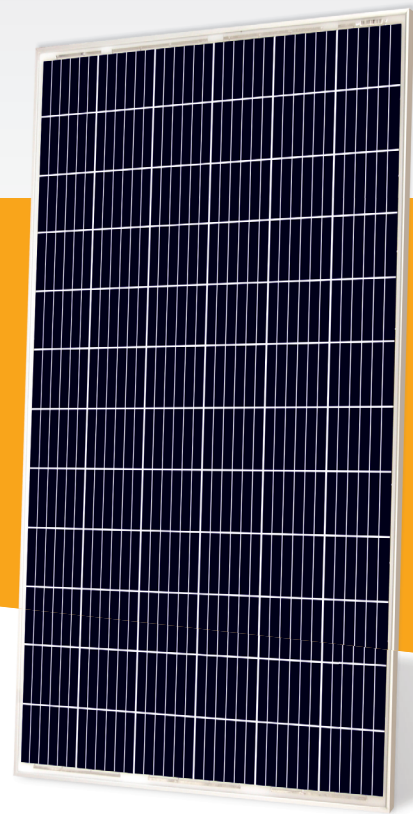




## POLY-CRYSTALLINE MODULE

CE-300/310/320/325/330/335P72



## Features

- High conversion efficiency through advanced manufacturing technology
- 12 years product warranty, 25 years linear performance warranty
- 3%- 5% positive tolerance ensures more power generated
- Withstand snow loads up to 5400Pa and wind loads up to 2400Pa under extreme temperature
- Anti-PID modules effectively reduce the loss in solar panel power output
- Anti salt mist corrosion & anti-ammonia corrosion test

## Certificates

- Manufactured according to International Management System Standard  
Quality Management system: ISO9001  
Environmental Management System: ISO14001  
Occupational Health and Safety Management System: OHSAS18001
- Certified and approved by CE, TÜV, IEC 61215, IEC 61730, MCS, CEC and PV CYCLE

# POLY-CRYSTALLINE MODULE

CE-300/310/320/325/330/335P72



## Electrical Characteristics under STC\*

Module Type	CE-310P72	CE-315P72	CE-320P72	CE-325P72	CE-330P72	CE-335P72
Maximum Power-Pmax (Wp)	310	315	320	325	330	335
Voltage at Maximum Power-Vmp (V)	36.9	37.2	37.5	37.00	37.08	37.2
Current at Maximum Power-Imp (A)	8.40	8.47	8.53	8.79	8.9	9.01
Open Circuit Voltage-Voc (V)	45.3	45.4	45.7	45.3	45.4	45.5
Short Circuit Current-Isc (A)	8.86	8.88	8.94	9.29	9.4	9.51
Module Efficiency-ηm (%)	16.0	16.3	16.5	16.7	17	17.3
Power Tolerance (%)	0/+3	0/+3	0/+3	0/+3	0/+3	0/+3

## Mechanical Characteristics

Cell Type	Poly-crystalline	156x156 mm (6 inches)
Number of Cells	72 (6x12)	
Dimension	1956x992x40 mm (77.01x39.06x1.57 inches)	
Weight	23.0 kg	
Front Glass	Low Iron Tempered Glass	
Encapsulant	EVA	
Frame	Anodized Aluminum Alloy	

## Temperature Characteristics

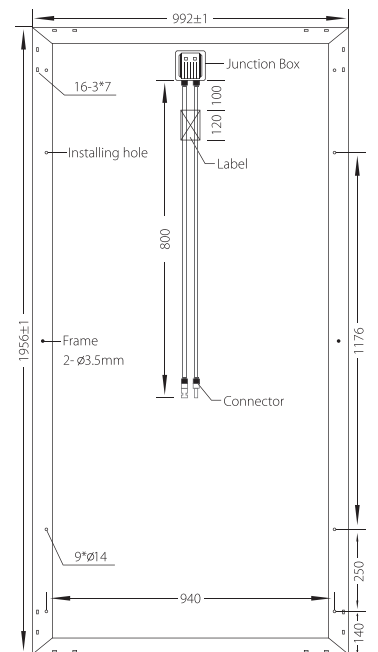
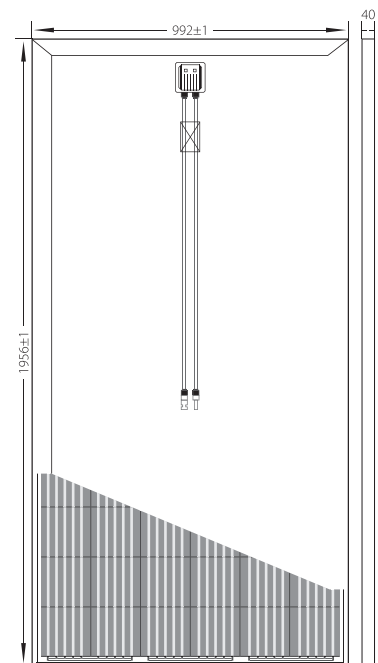
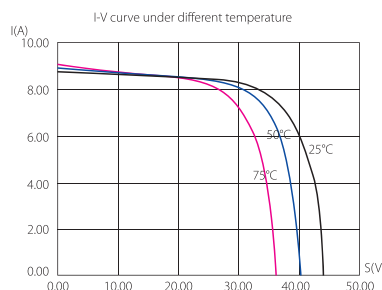
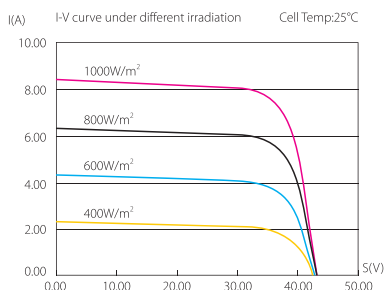
NOCT*	45±2°C
Temperature Coefficient of Pmax (%)	-0.40/°C
Temperature Coefficient of Voc (%)	-0.31/°C
Temperature Coefficient of Isc (%)	0.04/°C

## Maximum System Ratings

Operating Temperature	-40°C to +80°C
Maximum System Voltage	1000V DC
Maximum Series Fuse Rating	16A

## Warranty

- 12 years product warranty
- 12 years warranty on 90% power output
- 25 years warranty on 80% power output



\*STC (Standard Testing Conditions): Irradiance 1000 W/m<sup>2</sup>, cell temperature 25 °C, AM=1.5 ambient temperature 20 °C, wind speed 1 m/s

\*NOCT (Nominal Operating Cell Temperature): Irradiance 800 W/m<sup>2</sup>, The specifications in this datasheet are subjected to change without prior notice