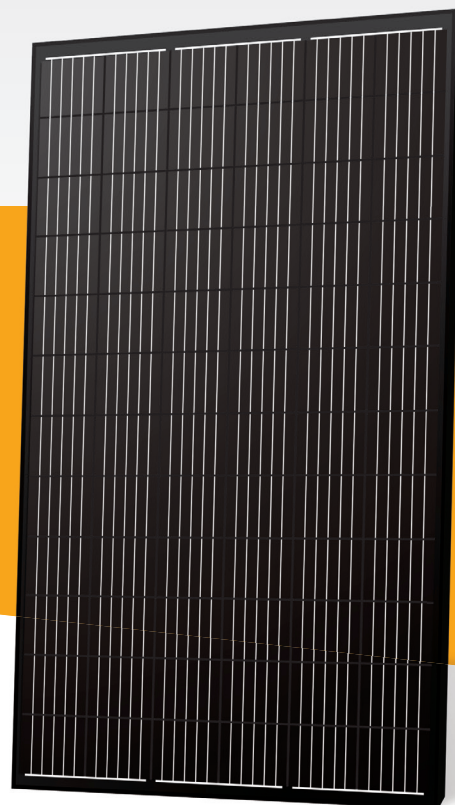




POLY-CRYSTALLINE MODULE

CE-300/310/320/325/330/335P72 All-black



Features

- High conversion efficiency through advanced manufacturing technology
- 12 years product warranty, 25 years linear performance warranty
- 3%- 5% positive tolerance ensures more power generated
- Withstand snow loads up to 5400Pa and wind loads up to 2400Pa under extreme temperature
- Anti-PID modules effectively reduce the loss in solar panel power output
- Anti salt mist corrosion & anti-ammonia corrosion test

Certificates

- Manufactured according to International Management System Standard
Quality Management system: ISO9001
Environmental Management System: ISO14001
Occupational Health and Safety Management System: OHSAS18001
- Certified and approved by CE, TÜV, IEC 61215, IEC 61730, MCS, CEC and PV CYCLE

POLY-CRYSTALLINE MODULE

CE-300/310/320/325/330/335P72 All-black



Electrical Characteristics under STC*

Module Type	CE-310P72	CE-315P72	CE-320P72	CE-325P72	CE-330P72	CE-335P72
Maximum Power-Pmax (Wp)	310	315	320	325	330	335
Voltage at Maximum Power-Vmp (V)	36.9	37.2	37.5	37.00	37.08	37.2
Current at Maximum Power-Imp (A)	8.40	8.47	8.53	8.79	8.9	9.01
Open Circuit Voltage-Voc (V)	45.3	45.4	45.7	45.3	45.4	45.5
Short Circuit Current-Isc (A)	8.86	8.88	8.94	9.29	9.4	9.51
Module Efficiency- η_m (%)	16.0	16.3	16.5	16.7	17	17.3
Power Tolerance (%)	0/+3	0/+3	0/+3	0/+3	0/+3	0/+3

Mechanical Characteristics

Cell Type	Poly-crystalline	156x156 mm (6 inches)
Number of Cells	72 (6x12)	
Dimension	1956x992x40 mm (77.01x39.06x1.57 inches)	
Weight	23.0 kg	
Front Glass	Low Iron Tempered Glass	
Encapsulant	EVA	
Frame	Anodized Aluminum Alloy	

Temperature Characteristics

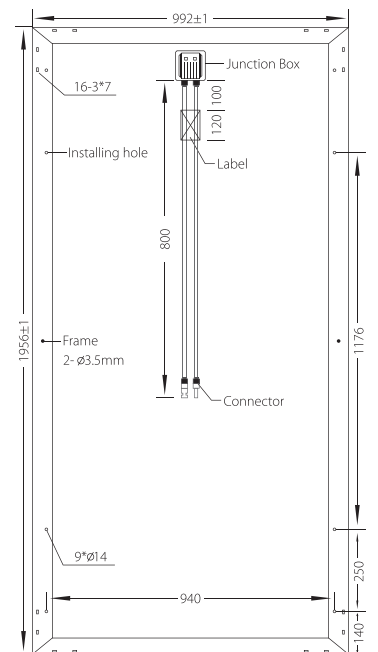
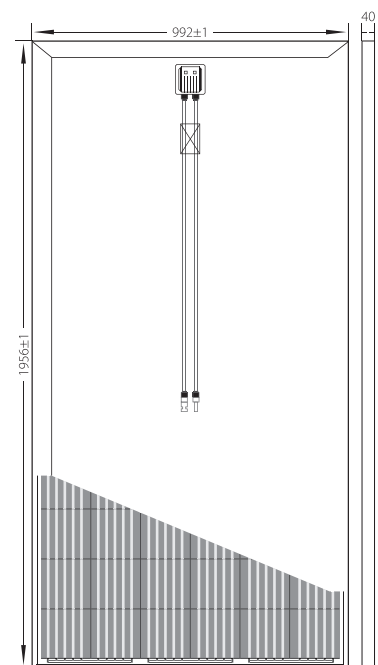
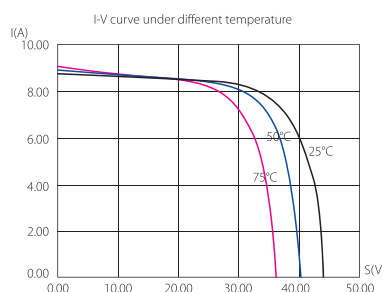
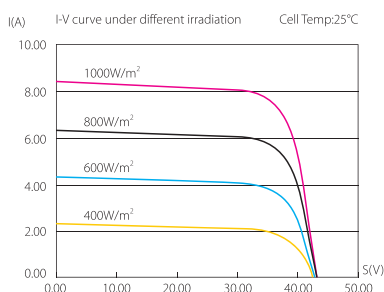
NOCT*	45 \pm 2°C
Temperature Coefficient of Pmax (%)	-0.40/°C
Temperature Coefficient of Voc (%)	-0.31/°C
Temperature Coefficient of Isc (%)	0.04/°C

Maximum System Ratings

Operating Temperature	-40°C to +80°C
Maximum System Voltage	1000V DC
Maximum Series Fuse Rating	16A

Warranty

- 12 years product warranty
- 12 years warranty on 90% power output
- 25 years warranty on 80% power output



*STC (Standard Testing Conditions): Irradiance 1000 W/m², cell temperature 25 °C, AM=1.5 ambient temperature 20 °C, wind speed 1 m/s

*NOCT (Nominal Operating Cell Temperature): Irradiance 800 W/m², The specifications in this datasheet are subjected to change without prior notice