



## Efficient Module

**72pieces**

Poly-crystalline Module

**320-350W**

Power Output Range

**18.0%**

Maximum Efficiency

**0~+5W**

Power Tolerance

### Product Specifications Book

Ideal for large scale installations

- High power footprint reduces installation time and BOS costs
- 1500V UL/1500V IEC certified

One of the industry's most trusted modules

- Field proven performance
- Strong, reliable supplier

Highly reliable due to stringent quality control

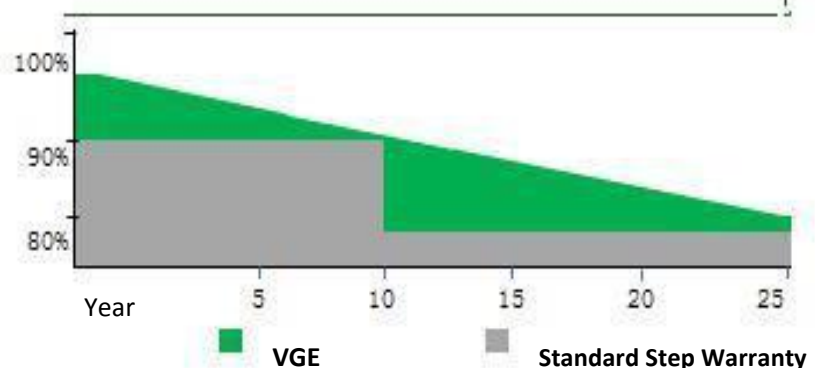
- Over 30 in-house tests (UV, TC, HF, and many more)
- In-house testing goes well beyond certification requirements
- 100% EL double inspection

Certified to withstand challenging environmental conditions

- 2400 Pa wind load
- 5400 Pa snow load
- 35 mm hail stones at 97 km/h
- PID resistant

### LINEAR PERFORMANCE WARRANTY

10 Year Product Warranty-25 Year Linear Power Warranty



## VGE-P156-72

### Electrical Specifications (standard test conditions)

Maximum Power -P <sub>MAX</sub> (Wp)	320	325	330	335	340	345	350
Power Tolerance -P <sub>MAX</sub> (W)	0 ~ +5%						
Maximum power point of operating voltage -P <sub>MPP</sub> (V)	37.1	37.2	37.4	37.6	37.8	38.0	38.2
Maximum power point of operating current) -I <sub>MPP</sub> (A)	8.63	8.73	8.83	8.91	8.99	9.07	9.14
Open circuit voltage -V <sub>oc</sub> (V)*	45.5	45.6	45.8	46.0	46.2	46.4	46.6
Short circuit current - I <sub>M</sub> (A)	9.15	9.19	9.28	9.35	9.42	9.49	9.56
Module Efficiency $\eta_m$ (%)	16.5	16.7	17.0	17.2	17.5	17.8	18.0

Standard test conditions under Measured Value:( air quality AM1.5, Irradiance 1000W / m<sup>2</sup>, cell temperature 25 °C)

Maximum Power -P <sub>MAX</sub> (Wp)	237	241	245	249	252	256	260
Maximum power point of operating voltage -P <sub>MPP</sub> (V)	34.3	34.4	34.6	34.8	35.0	35.2	35.4
Maximum power point of operating current) -I <sub>MPP</sub> (A)	6.92	7.00	7.08	7.14	7.21	7.28	7.35
Open circuit voltage -V <sub>oc</sub> (V)*	42.1	42.2	42.4	42.6	42.8	43.0	43.2
Short circuit current - I <sub>M</sub> (A)	7.39	7.42	7.49	7.55	7.60	7.67	7.74

NOCT: Irradiance 800W / m<sup>2</sup>, ambient temperature of 20 °C, wind speed 1m / s

### Temperature Rating

	Limit parameter		
Nominal Operating Cell Temperature (NOCT)	44 °C (±2 °C)	Working Temperature	-40~+85 °C
Maximum power (P <sub>MAX</sub> ) Temperature Coefficient	- 0.41%/ °C	Maximum system voltage	1500V DC (IEC)
Open-circuit voltage (VOC) Temperature Coefficient	- 0.32%/ °C		1500V DC
Short circuit current (ISC) Temperature Coefficient	0.05%/ °C	Maximum fuse rated Current	15A

### Mechanical Specifications

Solar cell Type	156.75mm ×156.75mm Poly-crystalline
Number of Cells	1 module 72pieces (6 ×12)
Dimensions	1956 ×992 ×40 mm
Weight	22.5kg-26kg(galss:3.2mm/4.0mm)
Glass	3.2/4.0mm, High transparency, anti-reflective coatings toughened glass
Backsheet	White/black
Frame	Silver, anodized aluminum
Junction Box	Protection level
Cable	4.0 mm <sup>2</sup> 1200 mm Photovoltaic dedicated cables
Connector	MC4 compatible

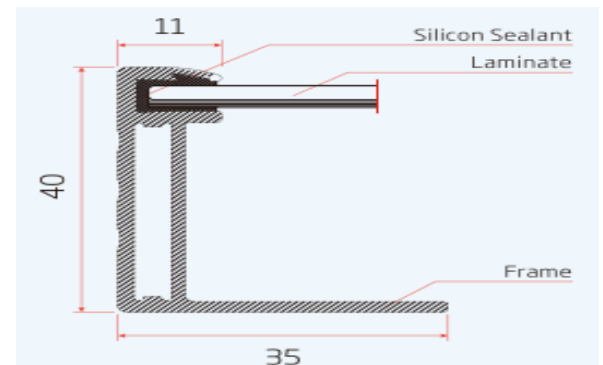
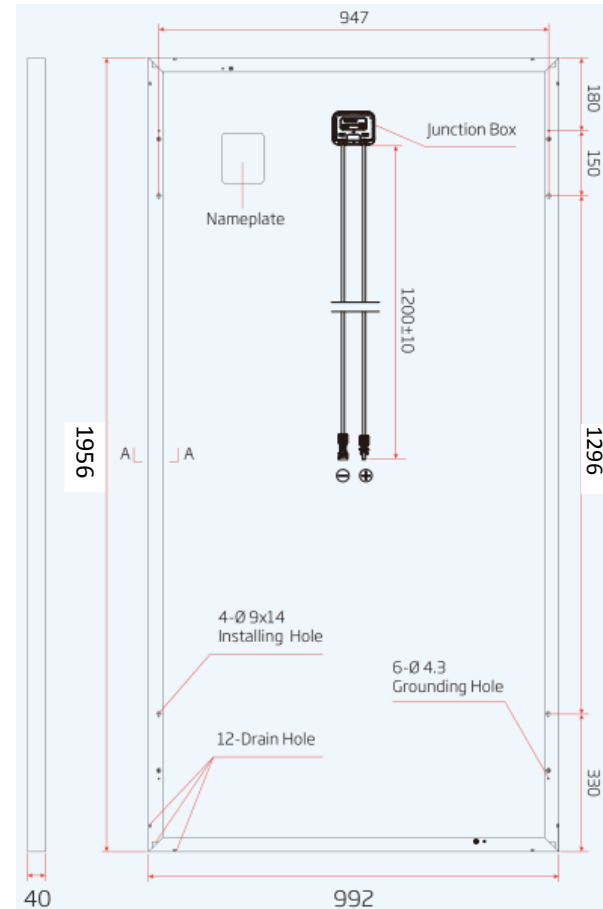
### P72 Module Packing

Name	Dimensions (mm)	Weight (kg)
Pallet	1995*1120*145mm	25
Carton Box(26pcs)	1992*1114*1000mm	12
Carton Box (2pcs)	1975*1000*90mm	2.5

Maximum stacking height of P72 Module Packing: 26 pcs per box allow stacking of the same 26 pcs box, Plus 2 boxes per box 2pcs;

26 pcs single pallet dimension height: 1145mm Weight: 713KG

Height of 2 pallet stacking 2 pallet per box 2pcs: 2470mm Weight: 1510KG



### Warranty

10-year warranty for product

25-year warranty for linear power

\*Please refer to product warranty for details

### Packaging Method

Modules per box: 26 pcs

Modules per 40 ft container: 624 pcs

\* Installation depends on the mechanical load