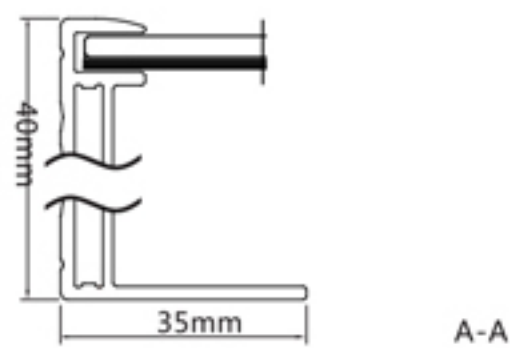
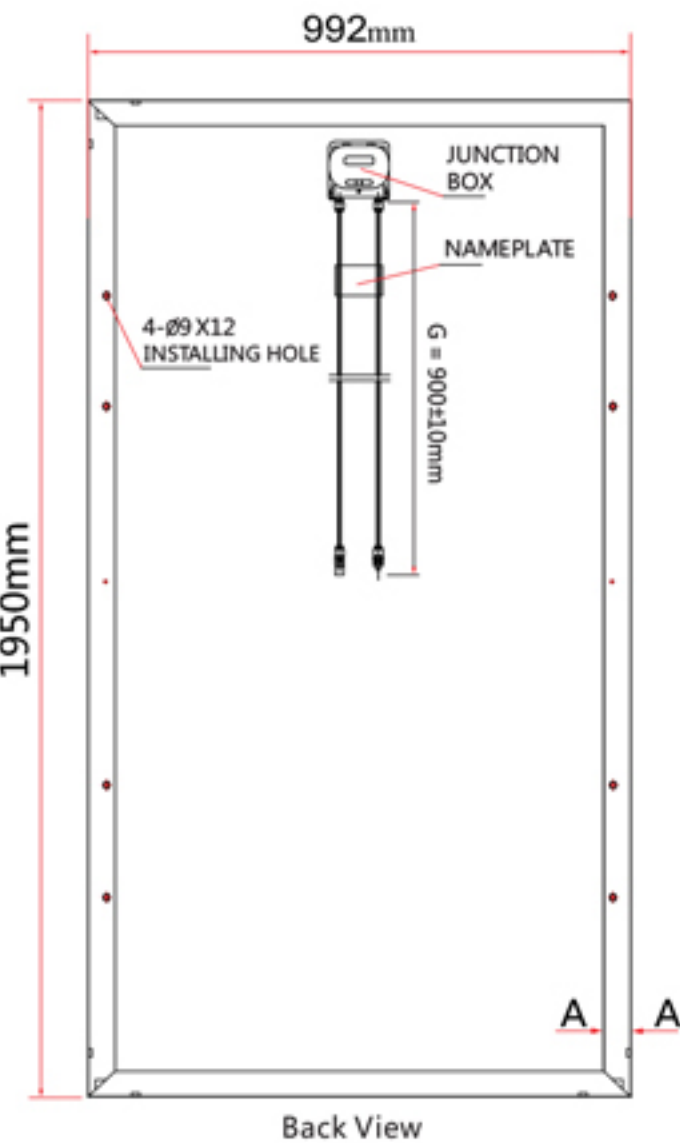


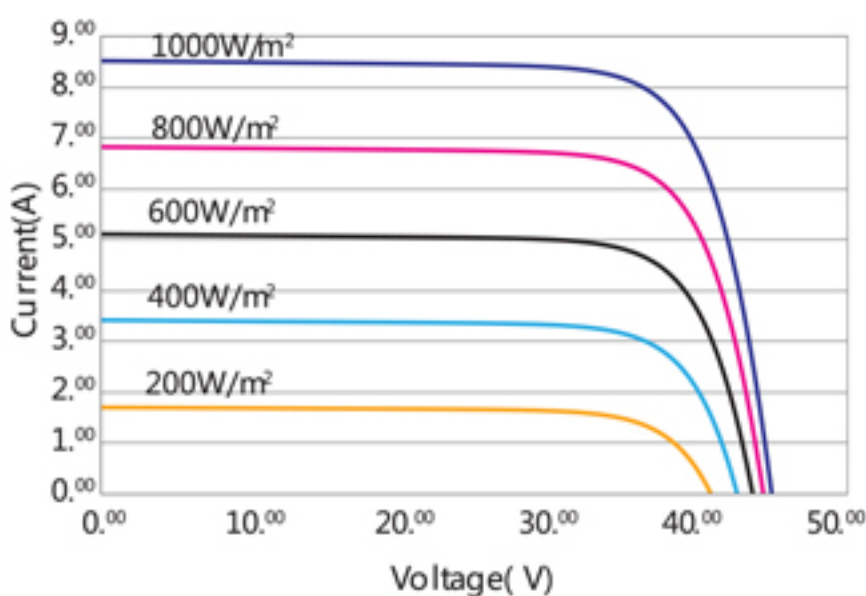
KGP-320



Dimensions Of PV Module



I-V CURVES OF PV MODULE KGP-320



ELECTRICAL DATA @ STC	KGP-315	KGP-320
Peak Power Watts-PMAX (Wp)	315	320
Power output Tolerance-PMAX(%)	0/+3	0/+3
Maximum Power Voltage-VMP(V)	37.2	37.4
Maximum Power Current-IMPP(A)	8.47	8.56
Open Circuit Voltage-VOC (V)	45.96	46.22
Short Circuit Current-ISC(A)	8.99	9.06
Module Efficiency η m(%)	16.28	16.54

Values at Standard Test Conditions STC (Air Mass AM1.5, irradiance 1000W/m², Cell Temperature 25°C).
Power measurement tolerance: 0-3%

ELECTRICAL DATA @NOCT	KGP-315	KGP-320
Maximum Power-PMAX (Wp)	229.2	232.8
Maximum Power Voltage-VMR(V)	34.27	34.45
Maximum Power Current-IMPP(A)	6.69	6.76
Open Circuit Voltage (V)-VOC (V)	42.84	43.02
Short Circuit Current (A)-ISC(A)	7.04	7.07

NOCT: Irradiance at 800W/m², Ambient Temperature 20°C, Wind Speed 1m/s.
Power measurement tolerance: 0-3%

MECHANICAL DATA

Solar cells	Polycrystalline 156 × 156mm (6 inches)
Cell orientation	72cells (6 × 12)
Module dimensions	1950X992X40mm
Weight	21kg
Glass	High transparency solar glass 3.2mm
Frame	Anodized aluminium alloy
J-Box	IP 65 or IP 67 rated
Cables	Photovoltaic Technology cable 4.0mm ² 900mm
Connector	Mc4 Compatible

TEMPERATURE RATINGS

Nominal Operating Cell Temperature (NOCT)	45°C (±2°C)
Temperature Coefficient of PMAX	-0.44%/°C
Temperature Coefficient of VOC	-0.34%/°C
Temperature Coefficient of ISC	0.06%/°C

MAXIMUM RATINGS

Operational Temperature	-40 ~ +85°C
Maximum System Voltage	1000V DC(IEC)/ 600V DC(UL)
Max Series Fuse Rating	15A

PACKAGING CONFIGURATION

Modules per box:	26 pieces
Modules per 40' container:	648 pieces

Guaranteed Performance**

10 years Manufacturing Warranty

12 years 90% Power Output

25 years 80% Power Output

(Please refer to product warranty for details)

Free module recycling through membership in the Ceres Cycle Association