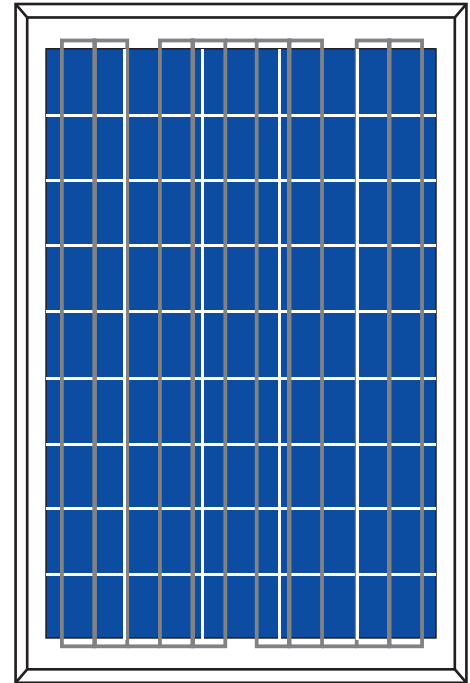


## Raw materials and Mechanical Parameters

	P6-100	P6-105
Type of Cells(mm)	pvoly156 × 104/156 × 52	
NO. of Cells and Connections	4 × 9=36/4 × 18=72	
Dimensions(mm)(L*W*H)	1020 × 670 × 30	
Weight(kg)	7.7	
Glass	3.2mm Tempered Glass	
Encapsulation	EVA	
Backsheet	Multilayer Composite	
Aluminium-Frame	Silvery/Black Anodized aluminium alloy	
Junction-Box	IP65/IP67	
Cable	NA, but customized is acceptable	
Connector	NA, but MC4 and MC4 Compatible are acceptable	
Package Configuration	4pcs/ctn	

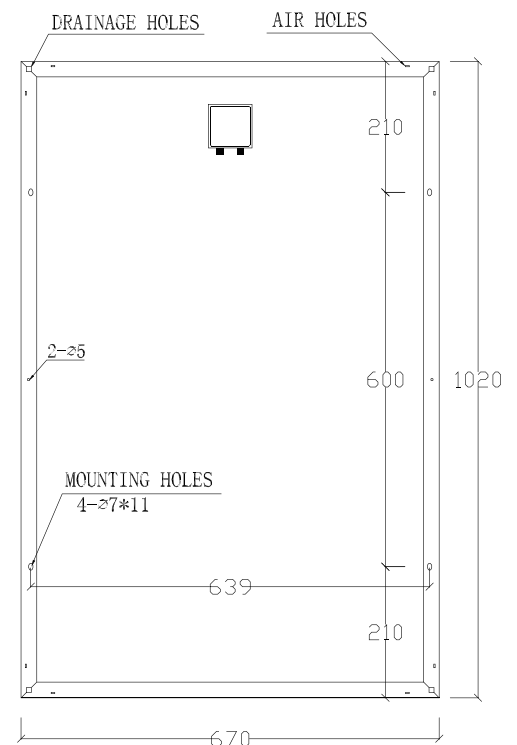
### ▼ Engineering Drawings (Front Side)



## Performance Parameters

	P6-100	P6-105
Maximum System Voltage	700V	
Operating Temperature	-45~+80°C	
Maximum Series Fuse	10A	
Maximum Static Load, Front Side (e.x. Snow, Wind)	5400PA	
Maximum Static Load, Back Side (e.x. Wind)	2400PA	
Application Grade	Class A	

### ▼ Engineering Drawings (Back Side)



## Electrical Parameters (Standard Test Condition)

	P6-100	P6-105
Rated Maximum Power(Mp)	100W	105W
Power Tolerance	0- +5W	
Cell Efficiency	17.20%	18.01%
Open Circuit Voltage(Voc)	22.6V	22.6V
Maximum Power Voltage(Vmp)	17.6V	17.6V
Short Circuit Current(Isc)	6.09A	6.29A
Maximum Power Current(Imp)	5.69A	5.97A
Temperature Coefficient of Isc	+0.06%	
Temperature Coefficient of Voc	-0.33%	
Temperature Coefficient of Pmp	-0.45%	
Standard Test Condition	Irradiance:1000WM2, Cell Temperature:25°C, Spectrum AM:1.5	

The Electrical Parameters of the module are the average theory figure under the standard test condition, each one exists difference. Can not be treated as the basis of module delivery.