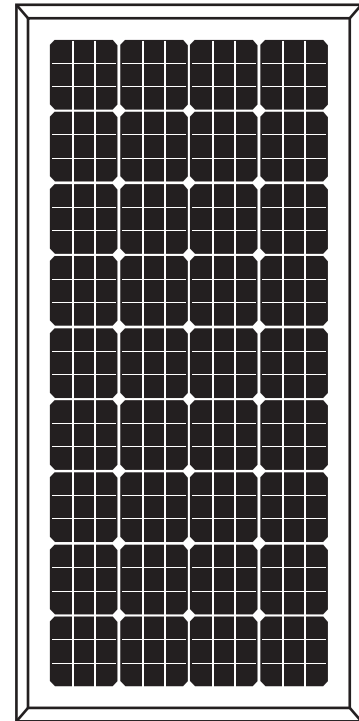


Raw materials and Mechanical Parameters

	M5-90	M5-95	M5-100
Type of Cells(mm)	mono125x125		
NO. of Cells and Connections	4x9=36		
Dimensions(mm)(L*W*H)	1190x550x30		
Weight(kg)	8		
Glass	3.2mm Tempered Glass		
Encapsulation	EVA		
Backsheet	Multilayer Composite		
Aluminium-Frame	Silvery/Black Anodized aluminium alloy		
Junction-Box	IP65/IP67		
Cable	NA, but customized is acceptable		
Connector	NA, but MC4 and MC4 Compatible are acceptable		
Package Configuration	4 pcs/ctn		

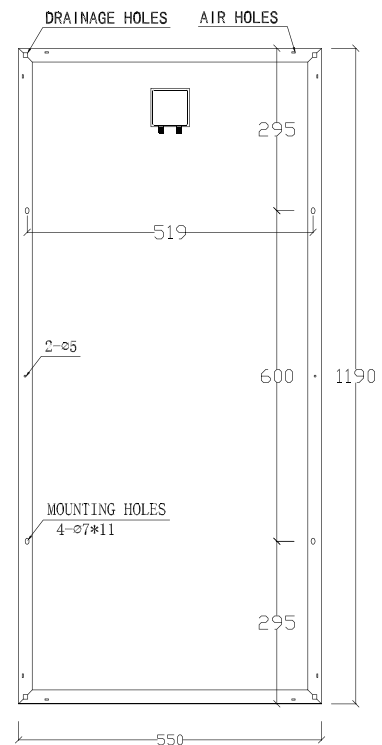
▼ Engineering Drawings (Front Side)



Performance Parameters

	M5-90	M5-95	M5-100
Maximum System Voltage	700V		
Operating Temperature	-45~+80°C		
Maximum Series Fuse	10A		
Maximum Static Load, Front Side (e.x. Snow, Wind)	5400Pa		
Maximum Static Load, Back Side (e.x. Wind)	2400Pa		
Application Grade	Class A		

▼ Engineering Drawings (Back Side)



Electrical Parameters (Standard Test Condition)

	M5-90	M5-95	M5-100
Rated Maximum Power(Mp)	90W	95W	100W
Power Tolerance	0-5Wp		
Cell Efficiency	16.2%	17.1%	18.0%
Open Circuit Voltage(Voc)	22.2V	22.3V	22.4V
Maximum Power Voltage(Vmp)	17.4V	17.6V	17.8V
Short Circuit Current(Isc)	5.33A	5.62A	5.79A
Maximum Power Current(Imp)	5.17A	5.40A	5.62A
Temperature Coefficient of Isc	+0.06%		
Temperature Coefficient of Voc	-0.33%		
Temperature Coefficient of Pmp	-0.45%		
Standard Test Condition	Irradiance:1000W/M2, Cell Temperature:25°C, Spectrum AM:1.5		

The Electrical Parameters of the module are the average theory figure under the standard test condition, each one exists difference. Can not be treated as the basis of module delivery.