



GER Solar

GER-60M(Black)

GER-255M-60B

GER-260M-60B

GER-265M-60B

GER-270M-60B

GER-275M-60B

Features and benefits

- ◆ Standard output
- ◆ High efficiency
- ◆ Outstanding low-light performance
- ◆ High transparent low-iron, tempered glass
- ◆ Esthetic appearance, with stands high wind-pressure and snow load

10 years product warranty

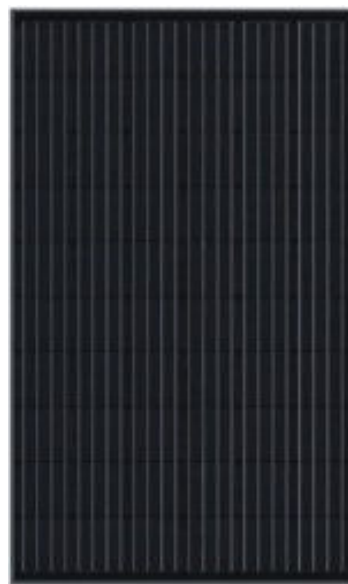
25 years power output warranty

10 years for 90% of warranted minimum power output

25 years for 80% of warranted minimum power output

High Efficiency, High Quality

PV Module (6×10 cells)



Electrical Characteristics

Model	GER-255M-60B	GER-260M-60B	GER-265M-60B	GER-270M-60B	GER-275M-60B
Open-circuit voltage (Voc)	37.4V	38.0V	38.3V	37.8V	38.0V
Optimum operating voltage (Vmp)	30.6V	31.1V	31.3V	31.7V	31.9V
Short-circuit current (Isc)	8.85A	8.89A	9.02A	9.07A	9.21A
Optimum operating current (Imp)	8.32A	8.35A	8.48A	8.51A	8.63A
Maximum power at STC (Pmax)	255Wp	260Wp	265Wp	270Wp	275Wp
Operating temperature	-40°C to +85°C				
Maximum system voltage	VDC 1000V				
	*STC: Irradiance 1000W/m ² , Module temperature 25°C, AM=1.5				

Ger Solar GmbH

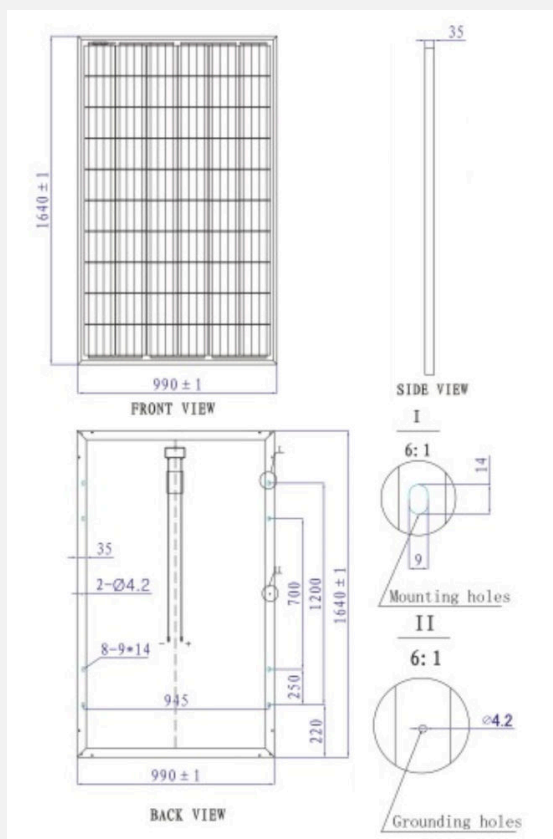
Kirchmattinger Straße 25, D-94330 Aiterhofen, Germany

Email: info@germania-energy.com

www.germania-energy.com.com



GER Solar



Specifications

Cell	Monocrystalline 156×156mm
No. of cells	60(6×10)
Dimension of module	1640mm×990mm×35mm
Weight	19kg

Temperature Coefficients

NOCT	45°C ± 2°C
Temperature coefficient of Isc	(0.06% ± 0.01)/°C
Temperature coefficient of Voc	-(0.34% ± 0.01)/°C
Temperature coefficient of Pmax	-(0.44% ± 0.01)/°C
Power tolerance	0~+3%

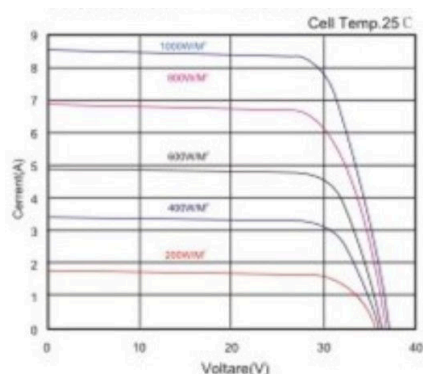
NOCT: Nominal operating Cell Temperature above data is only for reference

Output

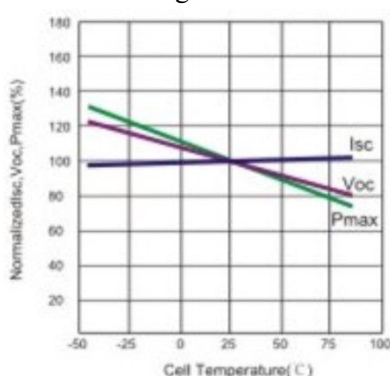
Cable	LAPP(4.0mm ²)
Asymmetrical lengths	1200mm(-) and 800mm(+)
Connection	MC Plug Type IV

Characteristics

I-V Curves of GER-255M-60B



Power voltage current curve



Packing

Container	20'GP	40'GP
Pieces per pallet	30	30
Pallets per container	14	28
Pieces per container	400	840

Ger Solar GmbH

Kirchmattinger Straße 25, D-94330 Aiterhofen, Germany

Email: info@germania-energy.com

www.germania-energy.com