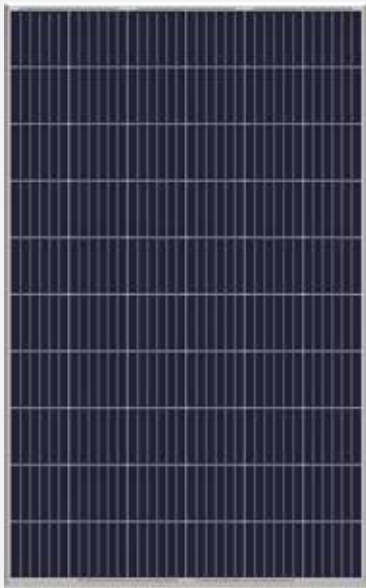


YGE-VG 60 CELL SERIES 2

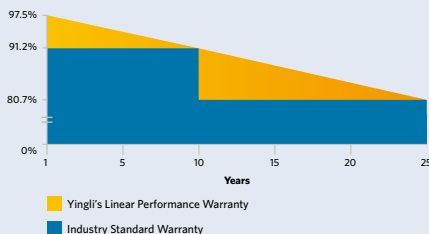


18.4%
CELL EFFICIENCY

10 YEAR
PRODUCT WARRANTY

0-5W
POWER TOLERANCE

25 Years Linear Warranty



PROVEN PERFORMANCE AND VERSATILITY

Independently tested for proven product quality and long-term reliability. Millions of PV systems installed worldwide demonstrate Yingli's industry leadership.



Durability

Durable PV modules, independently tested for harsh environmental conditions such as exposure to salt mist, ammonia and known PID risk factors.



Advanced Glass

Our high-transmission glass features a unique anti-reflective coating that directs more light on the solar cells, resulting in a higher energy yield.



Top Selling Module Size

First choice for millions of banks and investors, this size is well-suited for almost all PV applications.



PID Resistant

Tested in accordance to the standard IEC 62804, our PV modules have demonstrated resistance against PID (Potential Induced Degradation), which translates to security for your investment.

Yingli Green Energy

Yingli Green Energy Holding Company Limited (NYSE: YGE), known as "Yingli Solar", is one of the world's leading solar panel manufacturers with the mission to provide affordable green energy for all. Yingli Solar makes solar power possible for communities everywhere by using our global manufacturing and logistics expertise to address unique local challenges.

YGE-VG 60 CELL SERIES 2

ELECTRICAL PERFORMANCE

Electrical parameters at Standard Test Conditions (STC)

Module type	YLxxxP-29b (xxx=P _{max})						
	P _{max}	W	270	275	280	285	290
Power output	P _{max}	W	270	275	280	285	290
Power output tolerances	ΔP _{max}	W	0 / + 5				
Module efficiency	η _m	%	16.5	16.8	17.2	17.5	17.8
Voltage at P _{max}	V _{mpp}	V	30.9	31.1	31.4	31.7	32.0
Current at P _{max}	I _{mpp}	A	8.73	8.84	8.92	9.02	9.12
Open-circuit voltage	V _{oc}	V	38.4	38.5	38.7	38.9	39.1
Short-circuit current	I _{sc}	A	9.18	9.25	9.34	9.41	9.48

Standard test conditions under Measured Value: (air quality AM1.5, Irradiance 1000W / m², cell temperature 25 °C)

Electrical parameters at Nominal Operating Cell Temperature (NOCT)

Power output	YLxxxP-29b (xxx=P _{max})						
	P _{max}	W	200	204	207	210	213
Power output	P _{max}	W	200	204	207	210	213
Voltage at P _{max}	V _{mpp}	V	28.7	29.0	29.2	29.4	29.6
Current at P _{max}	I _{mpp}	A	6.97	7.03	7.10	7.17	7.24
Open-circuit voltage	V _{oc}	V	35.5	35.6	35.8	36	36.2
Short-circuit current	I _{sc}	A	7.41	7.47	7.55	7.61	7.67

NOCT: Irradiance 800W / m², ambient temperature of 20 °C, wind speed 1m / s

THERMAL CHARACTERISTICS

Nominal operating cell temperature	NOCT	°C	44 +/- 2
Temperature coefficient of P _{max}	γ	%/°C	-0.41
Temperature coefficient of V _{oc}	β _{Voc}	%/°C	-0.32
Temperature coefficient of I _{sc}	α _{Isc}	%/°C	0.05

OPERATING CONDITIONS

Max. system voltage	1000V / 1500V _{DC}
Max. series fuse rating	15A
Limiting reverse current	15A
Operating temperature range	-40°C to 85°C
Max. static load, front (e.g., snow)	5400Pa
Max. static load, back (e.g., wind)	2400Pa
Max. hailstone impact (diameter / velocity)	25mm / 23m/s
Module fire performance	Type 1 (U.S.) / Class C (Canada)

CONSTRUCTION MATERIALS

Front cover (material / thickness)	3.2mm, High transparency, anti-reflective coatings toughened glass
Cell (quantity / material / dimensions / number of busbars)	60 / multicrystalline silicon / 156.75mm x 156.75mm / 4 or 5
Frame (material)	Silver, anodized aluminum
Junction box (protection degree)	Protection level IP 68
Cable (length / cross-sectional area)	1000mm / 4mm ²
Plug connector (type)	MC4 compatible

- Due to continuous innovation, research and product improvement, the specifications in this product information sheet are subject to change without prior notice. The specifications may deviate slightly and are not guaranteed.
- The data do not refer to a single module and they are not part of the offer, they only serve for comparison to different module types.

QUALIFICATIONS & CERTIFICATES



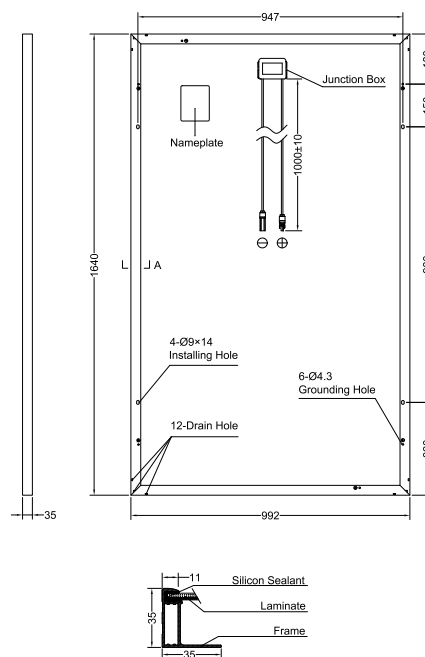
GENERAL CHARACTERISTICS

Dimensions (L / W / H)	1640mm / 992mm / 35mm
Weight	18.6kg

PACKAGING SPECIFICATIONS

Number of modules per pallet	30
Number of pallets per 40' container	28
Packaging box dimensions (L / W / H)	1680mm / 1130mm / 1123mm
Box weight	598kg

Unit: mm



Warning: Read the Installation and User Manual in its entirety before handling, installing and operating Yingli Solar modules.

Yingli Partners:



Yingli Green Energy Holding Co., Ltd.

service@yingli.com

Tel: +86-312-2188055

YINGLISOLAR.COM

