



The project solution
360 W
Mono



12 GW installed worldwide

Make Sharp's pioneering solar modules the only choice for your project.

72
Cells



55 years of solar expertise



Proven Quality
TÜV (IEC/EN 61215, IEC/EN61730)
Safety Class II
Application Class A

10
YEARS

Product guarantee



Guaranteed positive power tolerance (0/+5 %)

25
YEARS

Linear power output guarantee



18.5 % module efficiency



Monocrystalline silicon photovoltaic modules
Highly efficient PERC cell technology (Passivated Emitter and Rear Cell)



Robust product design

Electrical data (STC)

NUSC360

Maximum power	P_{max}	360	W_p
Open-circuit voltage	V_{oc}	47.2	V
Short-circuit current	I_{sc}	9.79	A
Voltage at point of maximum power	V_{mpp}	38.9	V
Current at point of maximum power	I_{mpp}	9.26	A
Module efficiency	η_m	18.5	%

STC = Standard Test Conditions: irradiance 1,000 W/m², AM 1.5, cell temperature 25°C.

Rated electrical characteristics are within ±10% of the indicated values of I_{sc} , V_{oc} and 0 to +5% of P_{max} (power measurement tolerance ±3%).

Electrical data (NOCT)

NUSC360

Maximum power	P_{max}	268	W_p
Open-circuit voltage	V_{oc}	43.8	V
Short-circuit current	I_{sc}	7.88	A
Voltage at point of maximum power	V_{mpp}	35.9	V
Current at point of maximum power	I_{mpp}	7.47	A

Module operating temperature at 800 W/m² irradiance, air temperature of 20 °C, wind speed of 1 m/s.

Mechanical data

Length	1,956 mm
Width	992 mm
Depth	40 mm
Weight	26 kg

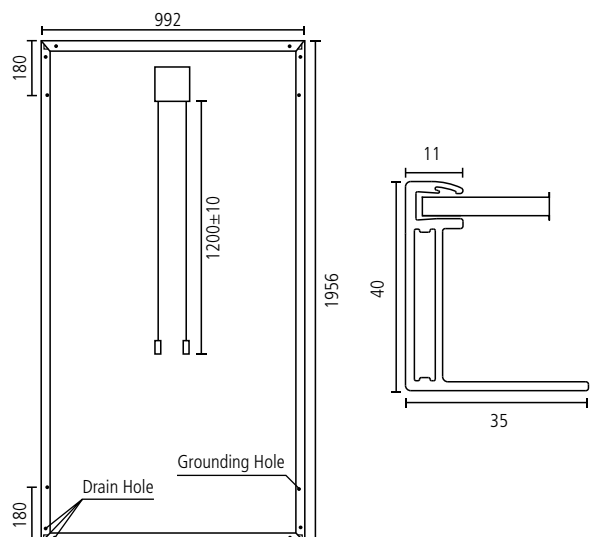
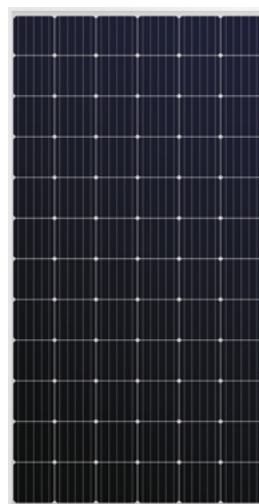
Temperature coefficient

NOCT	44°C (+/-2 °C)
P_{max}	-0.39 %/°C
V_{oc}	-0.29 %/°C
I_{sc}	0.05 %/°C

Limit values

Maximum system voltage	1,000 V_{DC}
Over-current protection	20 A
Temperature range	-40 to +85° C
Max. mechanical load (snow/wind)	2,400 Pa
Tested snow load (IEC61215 test passed*)	5,400 Pa

Dimensions (mm)



*Please refer to Sharp's installation manual for details.

General data

Cells	Monocrystalline, 156.75 mm × 156.75 mm, 72 cells in series, cell encapsulation: Ethylene-Vinyl-Acetate
Front glass	Anti-reflective low iron tempered glass, 4 mm
Frame	40 mm anodized aluminium alloy, silver
Connection box	IP67, 3 bypass diodes
Cable	4.0 mm ² , length 1,200 mm
Connector	MC4

Packaging data

Modules per pallet	27 pcs
Pallet size (L × W × H)	1,990 × 1,140 × 1,170 mm
Pallet weight	750 kg



Empower yourself

www.sharp.eu

SHARP

Contact Sharp

SHARP ELECTRONICS GMBH
ENERGY SOLUTIONS
NAGELSWEG 33 - 35
20097 HAMBURG
GERMANY
T: +49 (0) 40/2376-2436
F: +49 (0) 40/2376-2193

Contact Installer

Local responsibility: **Benelux** SolarInfo.seb@sharp.eu, **France** SolarInfo.fr@sharp.eu, **Germany** SolarInfo.de@sharp.eu, **Poland** energy-info.pl@sharp.eu
Spain & Portugal SolarInfo.es@sharp.eu, **United Kingdom** SolarInfo.uk@sharp.eu, **Other countries** SolarInfo.Europe@sharp.eu