

CHN 36P

160W/165W

POLY CRYSTALLINE MODULE

IEC61215/IEC61730/IEC61701/IEC62716/IEC62804
 ISO9001: 2008 Quality Management System
 ISO14001: 2004 Environmental Management System
 OHSAS18001: 2007 Occupational Health and Safety Management System

GLAMOROUS LIGHT
 TRAVELS WITH
 THE SHADOW.



IP65 Junction Box, Connector

IP65 Junction Box and Connector have a high degree of waterproof, effectively resist the harsh environment



15A current

The junction box carries a current of 15A, ensuring high current flow through the modules



Super strong frame

Glue-spilled tank has a double-layer waterproof, cross-section with hook-shaped aluminum frame, enhanced by 10% of the mechanical load strength



Current division

The module refines the current division, thus effectively reducing the loss of up to 2% due to mismatch and increasing the power output of the system



Salt spray, Ammonia and PID test

Excellent salt spray resistance, anti-ammonia and anti PID, TUV, SUD certification approved



Strong Mechanical load capacity

Passed the 2400pa wind load and 5400pa snow load test, ensuring that the module has a stable mechanical life



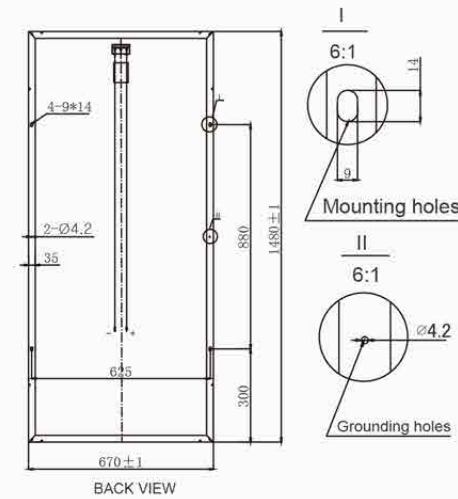
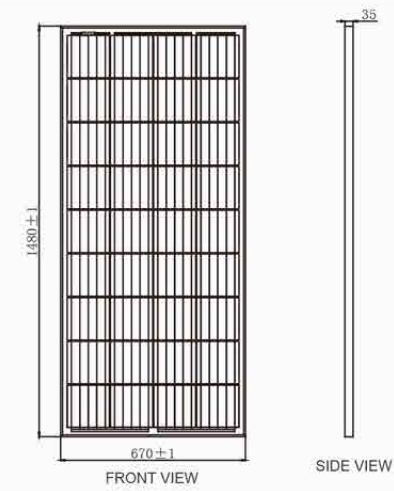
Color Classification

Modules are packaged according to color classification, to achieve consistent appearance after installation

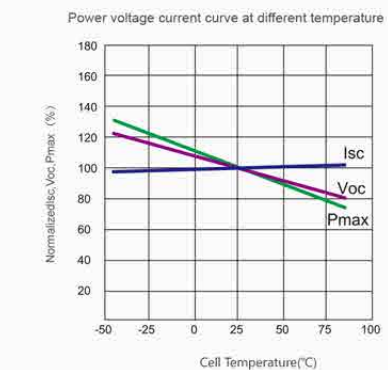
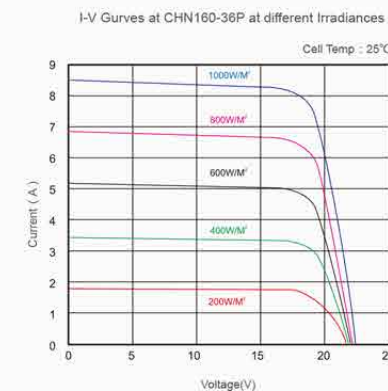
QUALIFICATIONS AND CERTIFICATES



MECHANICAL DRAWINGS



I-V CURVES



MECHANICAL SPECIFICATION

Cell Type	Poly Crystalline	156.75x156.75mm
Number Of Cells	36 (4x9)	
Dimensions(AxBxC)	1480x670x35mm	
Weights	12kg	
Front Glass	3.2mm Tempered Low Iron Glass	
Frame	Clear Anodized Anodized Aluminum	
Junction Box	IP65,with Bypass Diodes	
Connector	Mc4 Compatible	
Output Cables	Tuv,±length 900mm,4.0mm²	

ELECTRICAL CHARACTERISTICS

Maximum Power At STC(Pmax)	160W	165W
Short Circuit Current(Isc)	8.91A	9.16A
Open Circuit Voltage(Voc)	22.3V	23.0V
Maximum Power Current(Imp)	8.51A	8.74A
Maximum Power Voltage(Vmpp)	18.8V	18.9V
Module Efficiency	16.14%	16.14%
Power Tolerance	0~+3%	0~+3%

STC: 1000W/m² irradiance, 25°C cell temperature, AM1.5.

NOCT

Maximum Power At STC(Pmax)	118.5	122.2
Short Circuit Current(Isc)	7.21	7.42
Open Circuit Voltage(Voc)	20.6	21.3
Maximum Power Current(Imp)	6.78	6.97
Maximum Power Voltage(Vmpp)	17.5	17.5

NOCT: Irradiance at 800W/m², Ambient Temperature 20°C, wind speed 1m/s.

SYSTEM INTEGRATION PARAMETERS

Maximum System Voltage	VDC 1000V
Maximum Series Fuse	15A
Increased Snowload Acc.to Iec 61215	5400Pa
Operating Temperature	-40~+85°C
Number Of Bypass Diodes	2

TEMPERATURE CHARACTERISTICS

Norminal Operating Cell Temperature(Noct)	45°C±2°C
Temperature Coefficient Of Pmax	-0.41%/°C
Temperature Coefficient Of Voc	-0.33%/°C
Temperature Coefficient Of Isc	0.06%/°C

PACKING CONFIGURATION

Container	20' GP	40' GP
Pieces Per Pallet	30	30
Pallets Per Container	14	30
Pieces Per Container	490	1050

LINEAR PERFORMANCE WARRANTY

- 10 Years Manufacturing Warranty
- 12 Years 90% Power Output
- 25 Years 80% Power Output

