

CHN 60M(BK)

275W/280W/285W/ 290W/295W/300W

MONO CRYSTALLINE MODULE

IEC61215/IEC61730/IEC61701/IEC62716/IEC62804
ISO9001: 2008 Quality Management System
ISO14001: 2004 Environmental Management System
OHSAS18001: 2007 Occupational Health and Safety Management System

FASHION
TECHNOLOGY
ALONE



IP68 Junction Box, Connector

IP68 Junction Box and Connector have a high degree of waterproof, effectively resist the harsh environment



15A current

The junction box carries a current of 15A, ensuring high current flow through the modules



Super strong frame

Glue-spilled tank has a double-layer waterproof, cross-section with hook-shaped aluminum frame, enhanced by 10% of the mechanical load strength



Current division

The module refines the current division, thus effectively reducing the loss of up to 2% due to mismatch and increasing the power output of the system



Salt spray, Ammonia and PID test

Excellent salt spray resistance, anti-ammonia and anti PID, TUV, SUD certification approved



Strong Mechanical load capacity

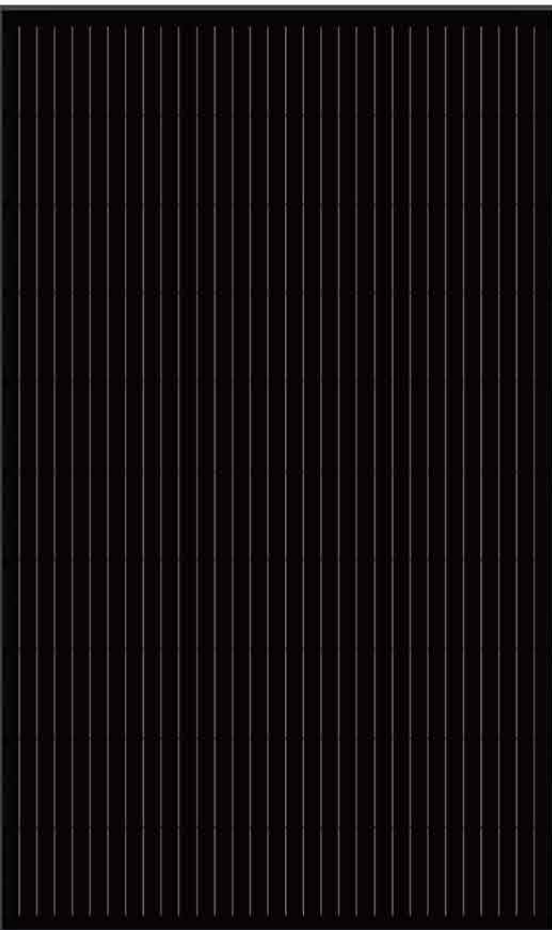
Passed the 2400pa wind load and 5400pa snow load test, ensuring that the module has a stable mechanical life



Color Classification

Modules are packaged according to color classification, to achieve consistent appearance after installation

QUALIFICATIONS AND CERTIFICATES

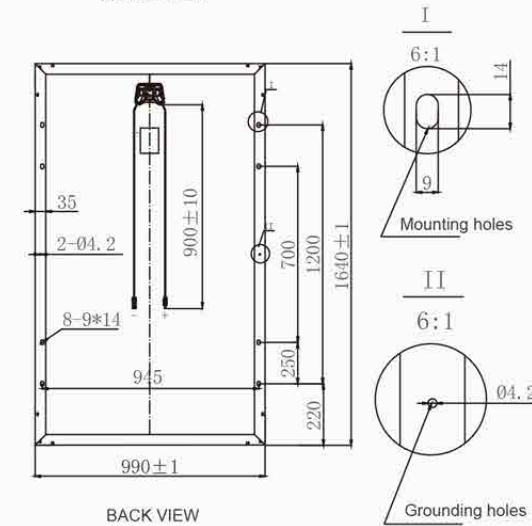
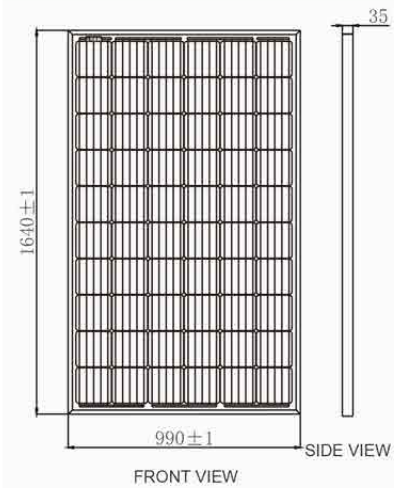


LINEAR PERFORMANCE WARRANTY

- 10 Years Manufacturing Warranty
- 12 Years 90% Power Output
- 25 Years 80% Power Output



MECHANICAL DRAWINGS



MECHANICAL SPECIFICATION

Cell Type	Mono Crystalline 156.75x156.75mm
Number Of Cells	60 (6x10)
Dimensions(AxBxC)	1640x990x35mm
Weights	19kg
Front Glass	3.2mm Tempered Low Iron Glass
Frame	Clear Anodized Aluminum Alloy
Junction Box	IP68,with Bypass Diodes
Connector	Mc4 Compatible
Output Cables	Tuv,±length 900mm,4.0mm ²

ELECTRICAL CHARACTERISTICS

	275W	280W	285W	290W	295W	300W
Maximum Power At STC(Pmax)	275W	280W	285W	290W	295W	300W
Short Circuit Current(Isc)	9.21A	9.35A	9.48A	9.58A	9.72A	9.78A
Open Circuit Voltage(Voc)	38.0V	38.2V	38.7V	39.2V	39.6V	39.8V
Maximum Power Current(Imp)	8.63A	8.72A	8.85A	8.95A	9.08A	9.17A
Maximum Power Voltage(Vmpp)	31.9V	32.1V	32.2V	32.4V	32.5V	32.7V
Module Efficiency	16.94%	17.25%	17.55%	17.86%	18.17%	18.48%
Power Tolerance	0~+3%	0~+3%	0~+3%	0~+3%	0~+3%	0~+3%

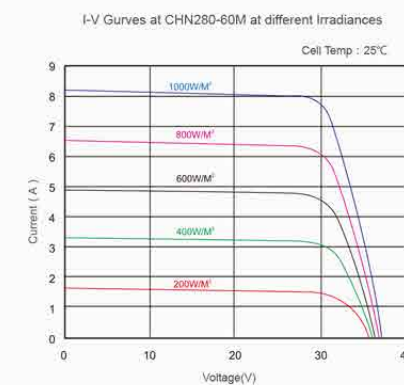
STC: 1000W/m² irradiance, 25°C cell temperature, AM1.5.

NOCT

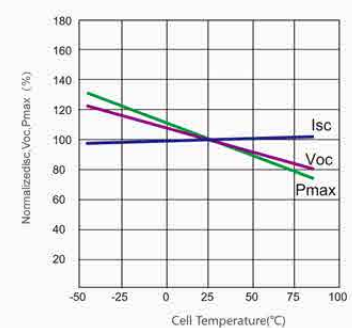
Maximum Power At STC(Pmax)	205.0	208.7	212.4	216.2	219.9	223.6
Short Circuit Current(Isc)	7.46	7.57	7.68	7.76	7.87	7.92
Open Circuit Voltage(Voc)	35.1	35.3	35.8	36.2	36.6	36.8
Maximum Power Current(Imp)	7.07	7.18	7.27	7.35	7.46	7.51
Maximum Power Voltage(Vmpp)	29.0	29.1	29.2	29.4	29.5	29.8

NOCT: Irradiance at 800W/m², Ambient Temperature 20°C, wind speed 1m/s.

I-V CURVES



Power voltage current curve at different temperature



SYSTEM INTEGRATION PARAMETERS

Maximum System Voltage	VDC 1000V
Maximum Series Fuse	15A
Increased Snowload Acc.to Iec 61215	5400Pa
Operating Temperature	-40~+85°C
Number Of Bypass Diodes	3

TEMPERATURE CHARACTERISTICS

Normal Operating Cell Temperature(Noct)	45°C±2°C
Temperature Coefficient Of Pmax	-0.40%/°C
Temperature Coefficient Of Voc	-0.29%/°C
Temperature Coefficient Of Isc	0.05%/°C

PACKING CONFIGURATION

	20' GP	40' GP
Container	20' GP	40' GP
Pieces Per Pallet	30	30
Pallets Per Container	14	28
Pieces Per Container	400	840