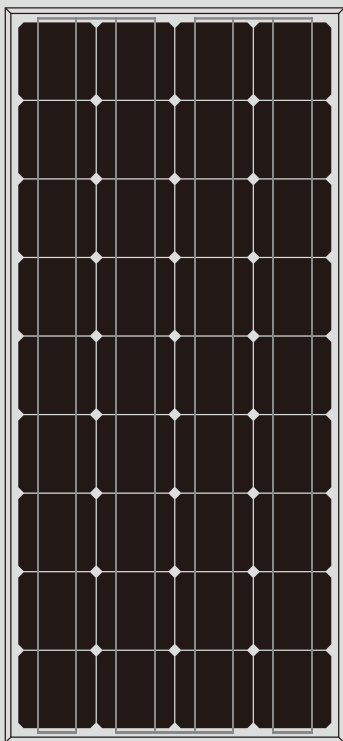


## MONOCRYSTALLINE SILICON MODULE



0260



10 years  
products  
warranty

25 year  
power output  
warranty

Add: CuiBei Industrial Park, Henglin Town, Wujin District, Changzhou City, Jiangsu Province, China.

Tel: +86-519-85260699

Fax: +86-519-85260299

Email: info@gsunp.com

Web Site: www.gsunp.com

# GSUNpower

WWW.GSUNP.COM

## M5-90 M5-95 M5-100

### MONOCRYSTALLINE SILICON MODULE

#### Products Characteristics



Widely using of the most popular and mature type of modules for off-grid system.



Leading manufacturing technology in PV industry, strictly controlling the quality of raw materials and the process of producing



100% EL inspection, ensures modules are defects free.



Cells binned by current to improve module performance



Anti reflective glass. Not only to increase the light absorption, but also to make the module has the function of self-cleaning in water environment, effectively reducing the power loss caused by dust.



Outstanding performance in low-light irradiance environments.



Excellent mechanical load resistance: Certified to withstand high wind loads(2400pa) and snow loads(5400pa).



High salt and ammonia resistance



Positive power tolerance: 0~+5w

#### Warranty

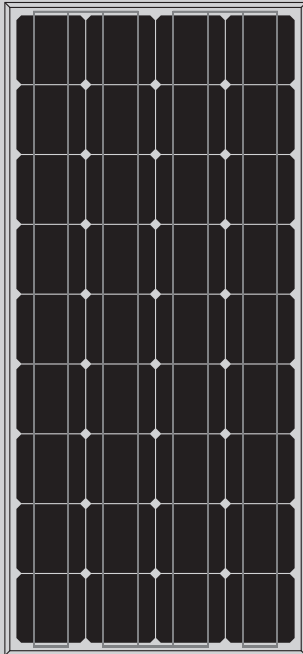
- 10 years product warranty
- 10-years 90% of Min. rated output power, and 25-years 80% of Min. rated output power warranty

#### Comprehensive Certificates

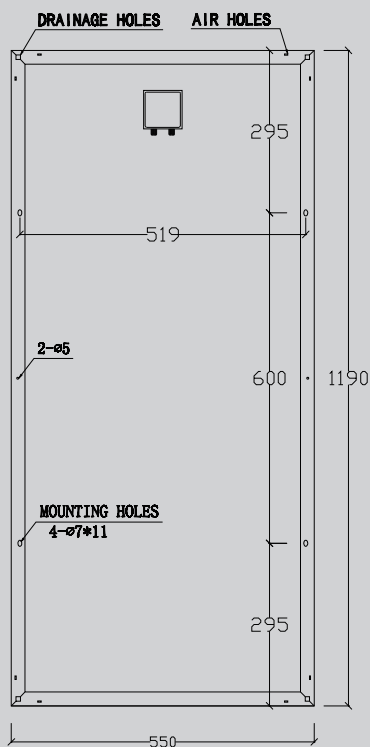
- ISO Certificate
- SGS-TUV Certificate
- CQC Certificate
- IEC61215、IEC61730 Certificate
- CE Certificate

Specifications subject to technology and test conditions,  
GSUN Power reserves the right of final interpretation

Engineering Drawings (Front Side)



Engineering Drawings (Back Side)



Add: CuiBei Industrial Park, Henglin Town, Wujin District, Changzhou City, Jiangsu Province, China.

Tel: +86-519-85260699  
 Fax: +86-519-85260299  
 Email: info@gsunp.com  
 Web Site: www.gsunp.com

## Raw materials and Mechanical Parameters

	M5-90	M5-95	M5-100
Type of Cells(mm)	mono125x125		
NO. of Cells and Connections	4x9=36		
Dimensions(mm)(L*W*H)	1190x550x30		
Weight(kg)	8		
Glass	3.2mm Tempered Glass		
Encapsulation	EVA		
Backsheet	Multilayer Composite		
Aluminium-Frame	Silvery/Black Anodized aluminium alloy		
Junction-Box	IP65/IP67		
Cable	NA, but customized is acceptable		
Connector	NA, but MC4 and MC4 Compatible are acceptable		
Package Configuration	4 pcs/ctn		

## Performance Parameters

	M5-90	M5-95	M5-100
Maximum System Voltage	700V		
Operating Temperature	-45~+80°C		
Maximum Series Fuse	10A		
Maximum Static Load, Front Side (e.x. Snow, Wind)	5400Pa		
Maximum Static Load, Back Side (e.x. Wind)	2400Pa		
Application Grade	Class A		

## Electrical Parameters (Standard Test Condition)

	M5-90	M5-95	M5-100
Rated Maximum Power(Mp)	90W	95W	100W
Power Tolerance	0-5Wp		
Cell Efficiency	16.2%	17.1%	18.0%
Open Circuit Voltage(Voc)	22.2V	22.3V	22.4V
Maximum Power Voltage(Vmp)	17.4V	17.6V	17.8V
Short Circuit Current(Isc)	5.33A	5.62A	5.79A
Maximum Power Current(Imp)	5.17A	5.40A	5.62A
Temperature Coefficient of Isc	+0.06%		
Temperature Coefficient of Voc	-0.33%		
Temperature Coefficient of Pmp	-0.45%		
Standard Test Condition	Irradiance: 1000W/M2, Cell Temperature: 25°C, Spectrum AM: 1.5		

The Electrical Parameters of the module are the average theory figure under the standard test condition, each one exists difference. Can not be treated as the basis of module delivery.