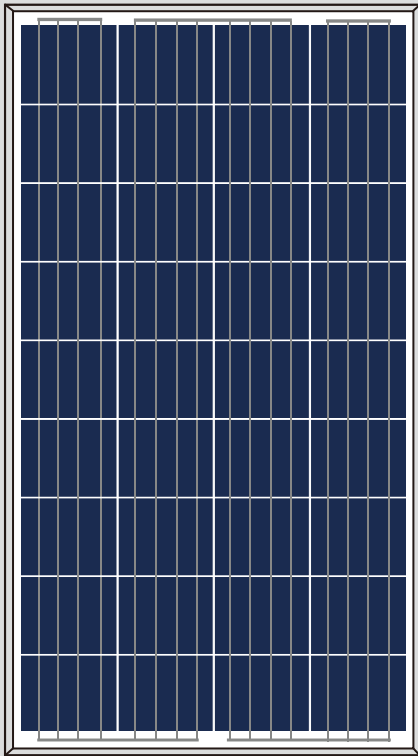


POLYCRYSTALLINE SILICON MODULE



0260



10 years
products
warranty

25 year
power output
warranty

Add: CuiBei Industrial Park, Henglin Town, Wujin District, Changzhou City, Jiangsu Province, China.

Tel: +86-519-85260699

Fax: +86-519-85260299

Email: info@gsunp.com

Web Site: www.gsunp.com

GSUNpower

WWW.GSUNP.COM

6P-135 6P-140 6P-145 POLYCRYSTALLINE SILICON MODULE

Products Characteristics



Widely using of the most popular and mature type of modules for off-grid system.



Leading manufacturing technology in PV industry, strictly controlling the quality of raw materials and the process of producing



100% EL inspection, ensures modules are defects free.



Cells binned by current to improve module performance



Anti reflective glass. Not only to increase the light absorption, but also to make the module has the function of self-cleaning in water environment, effectively reducing the power loss caused by dust.



Outstanding performance in low-light irradiance environments.



Excellent mechanical load resistance: Certified to withstand high wind loads(2400pa) and snow loads(5400pa).



High salt and ammonia resistance



Positive power tolerance: 0~+5w

Warranty

- 10 years product warranty
- 10-years 90% of Min. rated output power, and 25-years 80% of Min. rated output power warranty

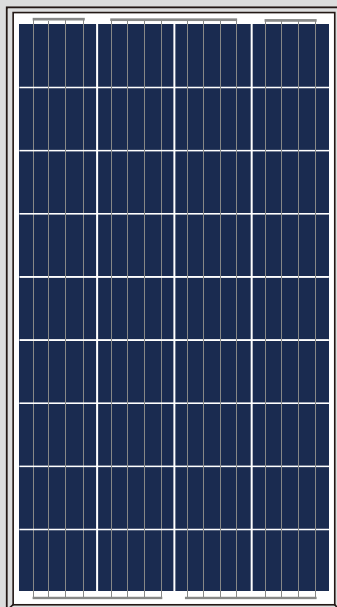
Comprehensive Certificates

- ISO Certificate
- SGS-TUV Certificate
- CQC Certificate
- IEC61215、IEC61730 Certificate
- CE Certificate

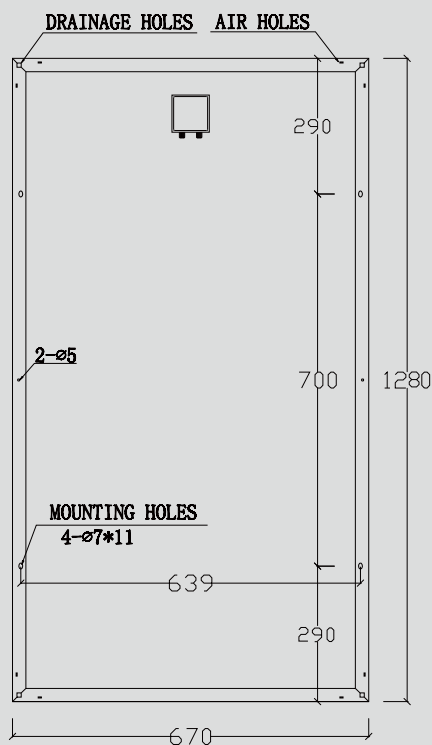
Specifications subject to technology and test conditions, GSUN Power reserves the right of final interpretation

6P-135 6P-140 6P-145

▼ Engineering Drawings (Front Side)



▼ Engineering Drawings (Back Side)



Add: CuiBei Industrial Park, Henglin Town, Wujin District, Changzhou City, Jiangsu Province, China.

Tel: +86-519-85260699

Fax: +86-519-85260299

Email: info@gsunp.com

Web Side: www.gsunp.com

Raw materials and Mechanical Parameters

	6P-135	6P-140	6P-145
Type of Cells(mm)	poly156 × 133.7		
NO. of Cells and Connections	4 × 9=36		
Dimensions(mm)(L*W*H)	1280 × 670 × 30		
Weight(kg)	9.6		
Glass	3.2mm Tempered Glass		
Encapsulation	EVA		
Backsheet	Multilayer Composite		
Aluminium-Frame	Silvery/Black Anodized aluminium alloy		
Junction-Box	IP65/IP67		
Cable	NA, but customized is acceptable		
Connector	NA, but MC4 and MC4 Compatible are acceptable		
Package Configuration	4pcs/ctn		

Performance Parameters

	6P-135	6P-140	6P-145
Maximum System Voltage	700V		
Operating Temperature	-45~+80°C		
Maximum Series Fuse	10A		
Maximum Static Load, Front Side (e.x. Snow, Wind)	5400PA		
Maximum Static Load, Back Side (e.x. Wind)	2400PA		
Application Grade	Class A		

Electrical Parameters (Standard Test Condition)

	6P-135	6P-140	6P-145
Rated Maximum Power(Mp)	135W	140W	145W
Power Tolerance	0- +5W		
Cell Efficiency	18.0%	18.6%	19.1%
Open Circuit Voltage(Voc)	22.6V	22.6V	22.6V
Maximum Power Voltage(Vmp)	17.6V	17.8V	17.8V
Short Circuit Current(Isc)	8.13A	8.34A	8.63A
Maximum Power Current(Imp)	7.67A	7.87A	8.15A
Temperature Coefficient of Isc	+0.06%		
Temperature Coefficient of Voc	-0.33%		
Temperature Coefficient of Pmp	-0.45%		
Standard Test Condition	Irradiance: 1000W/M2, Cell Temperature: 25°C, Spectrum AM: 1.5		

The Electrical Parameters of the module are the average theory figure under the standard test condition, each one exists difference. Can not be treated as the basis of module delivery.